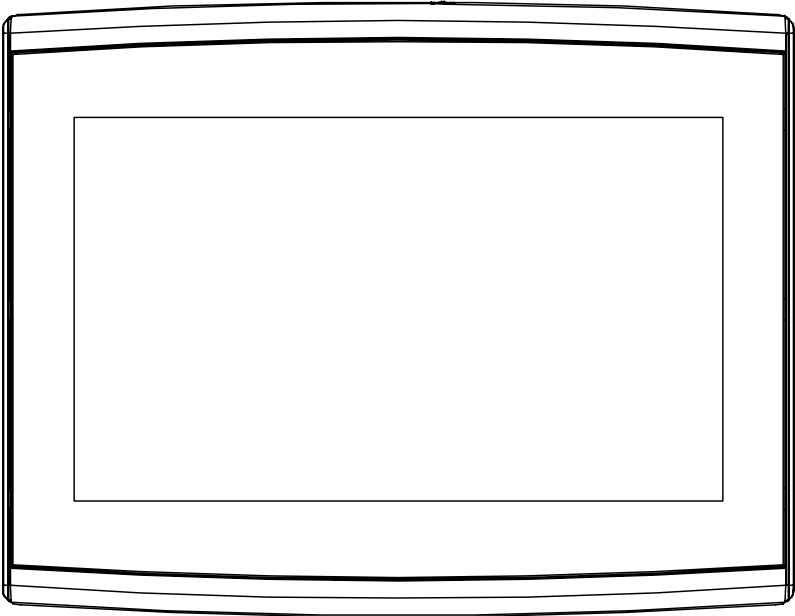




MMG7DFMAE017

FARMNAVIGATOR



G7 *Dataseed*

INSTALLATION MANUAL

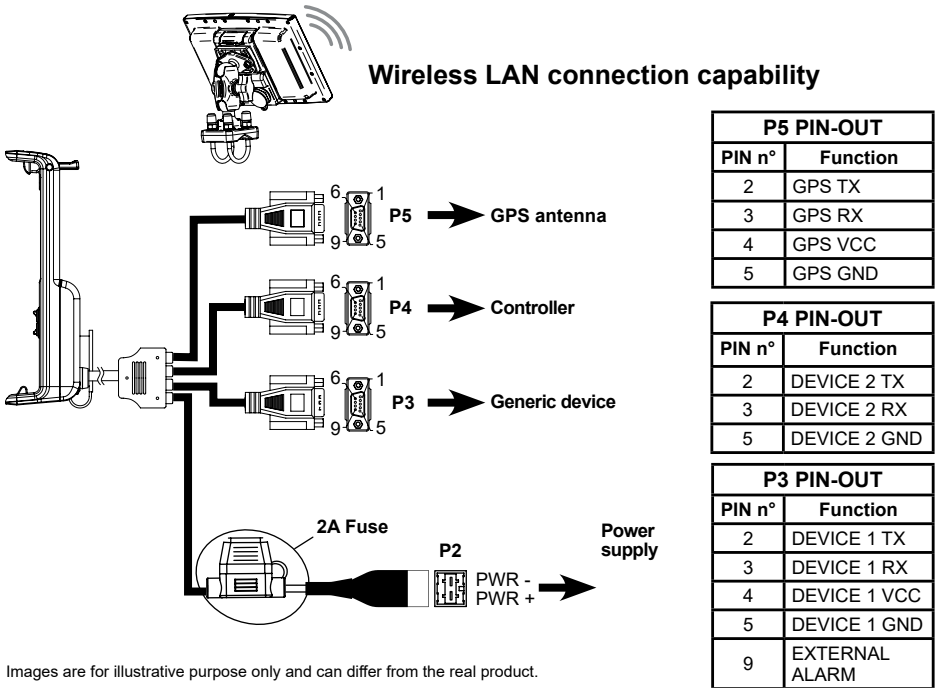
1. Product Description

The FARMNAVIGATOR G7 Dataseed is a precision GNSS system for the control of weeding implements.

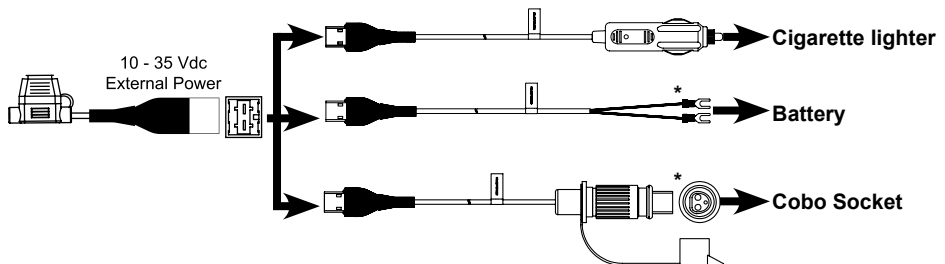
1.1 Content of the package

- G7 Dataseed
- Dust protective cover
- Powered bracket with 3 serial ports
- Power cable extension with: (1) cigarette lighter plug, (2) spade terminals, (3) Cobo plug
- RAM U-Bolt Base - B + RAM Diamond Base - B + RAM Double Socket Arm - B
- USB + VideoIN + Ethernet cable

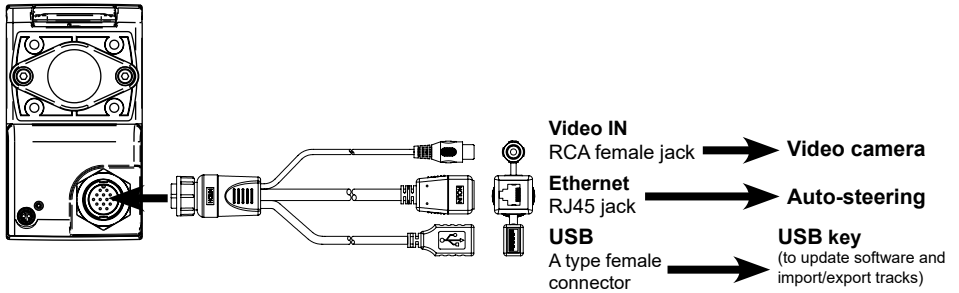
2. Connections scheme



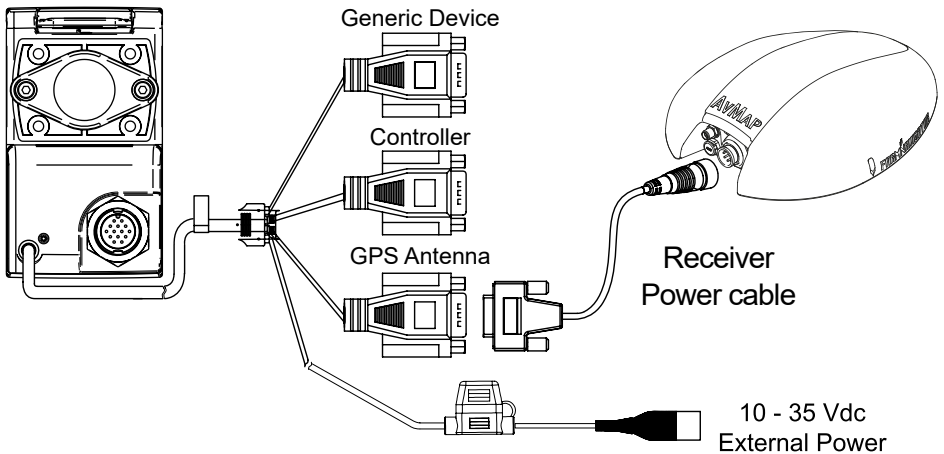
2.1 Power supply connection



2.2 USB, video camera and Ethernet connection



2.3 Connection to All in One RTK

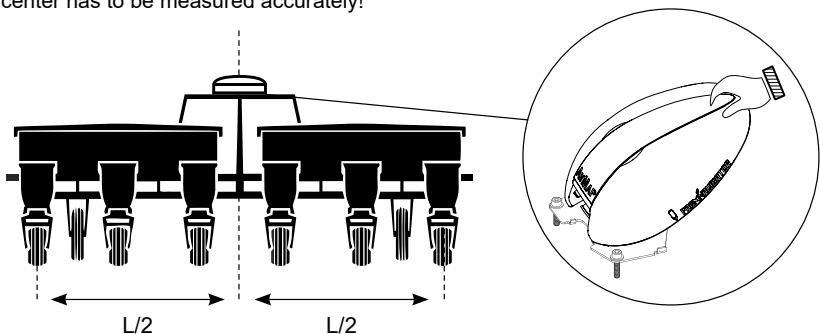


2.3.1 All in One RTK installation on the implement

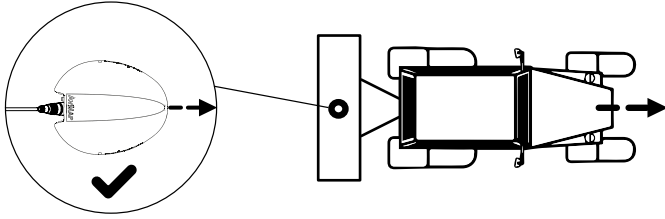
In order to achieve the highest accuracy, the receiver must be installed following the instructions below:

1. All In One RTK must be installed on the center of the implement.

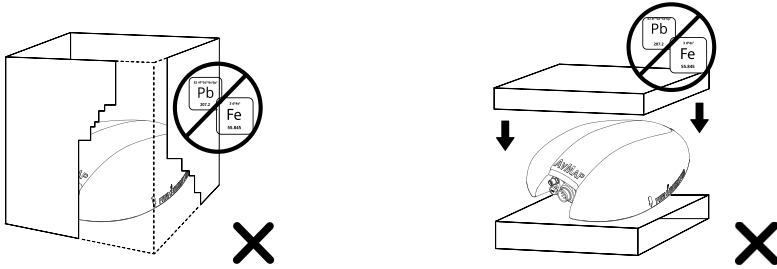
The center has to be measured accurately!



2. All in One RTK must be installed horizontally using its bracket to avoid vibrations.
3. The connector for power cable must be oriented opposite to the driving direction.



4. Do not cover the All in One RTK with metal or plastic parts, keep it clean and in safety position.

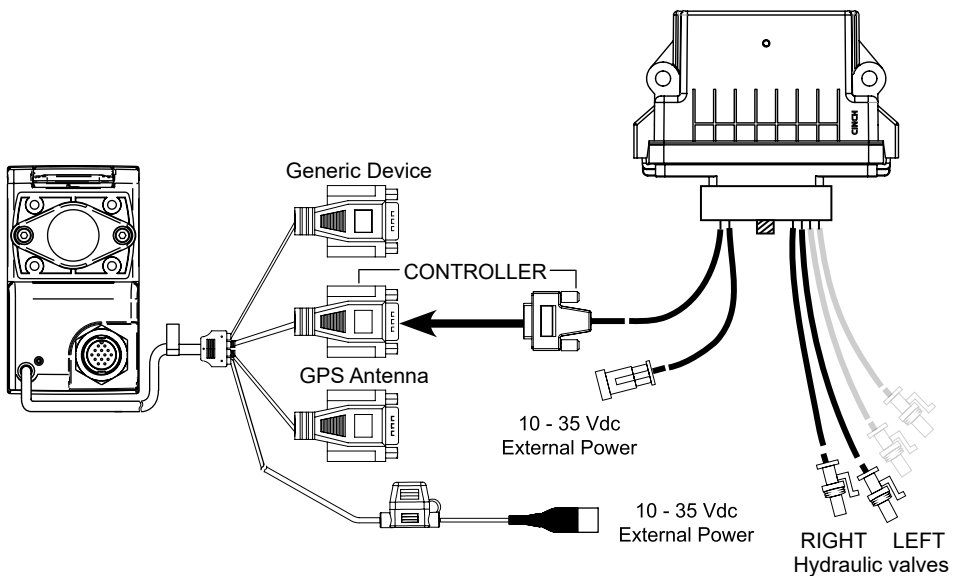


NOTE: please refer to the All in One RTK Installation manual for more details.

2.4 Connection to ECU Dataseed (if included)

WARNING: Before connecting the ECU Dataseed make sure you are in a safe condition.

ECU Dataseed must be firmly installed in a position where any damages to the ECU, cables and other parts are avoided.



To complete the installation:

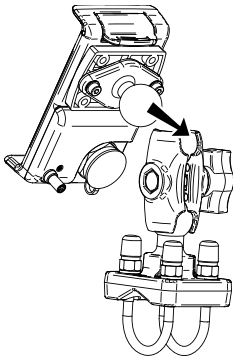
1. Use a 1/4 inch nut driver to fix the main cable harness connector to the ECU Dataseed.
2. Fix the right and left connectors to the hydraulic valve on the implement.
3. Connect the power cable to the switched power.

IMPORTANT: the G7 Dataseed does not switch off automatically the ECU Dataseed.

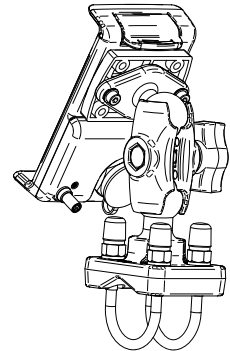
Please refer to the ECU Dataseed Installation manual for more details.

3. Bracket assembly

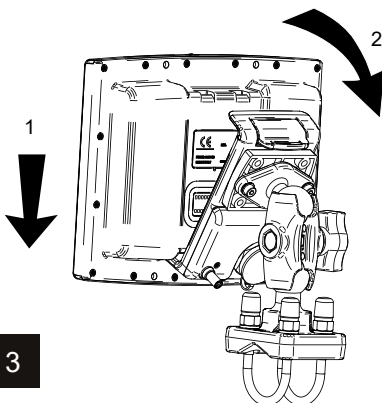
3.1 To install



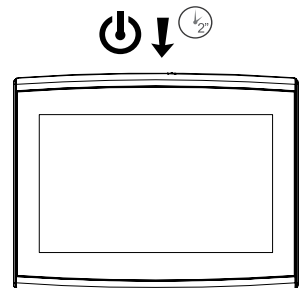
1



2

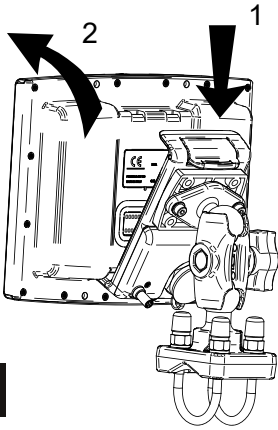


3



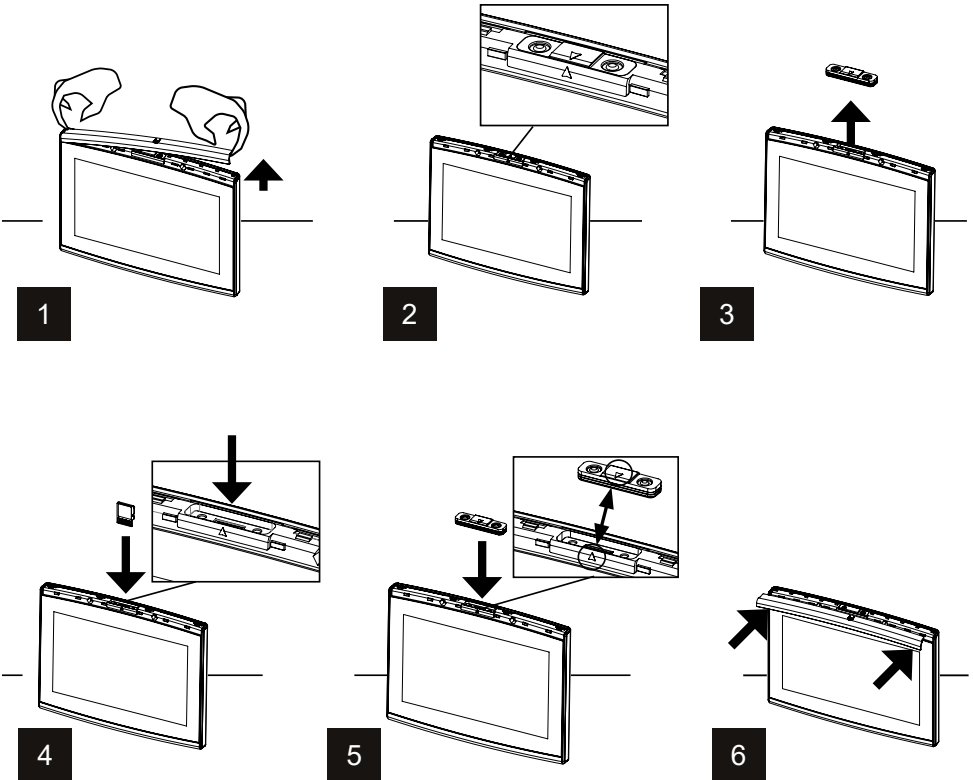
4

3.2 To uninstall

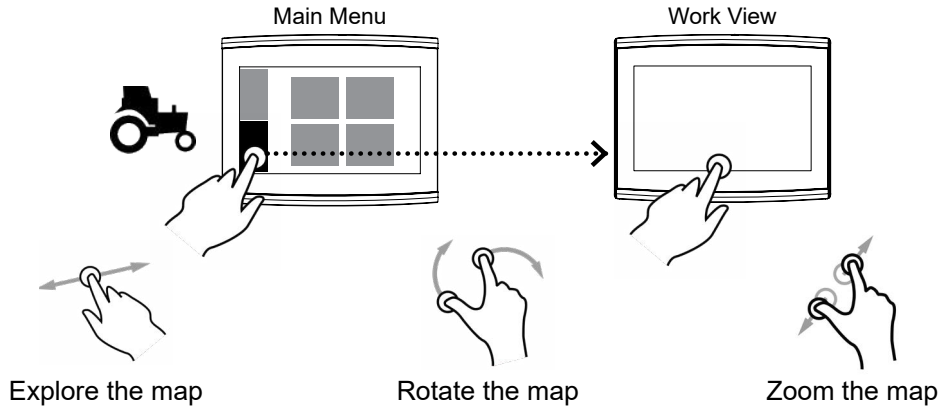


1

4. MicroSD instructions



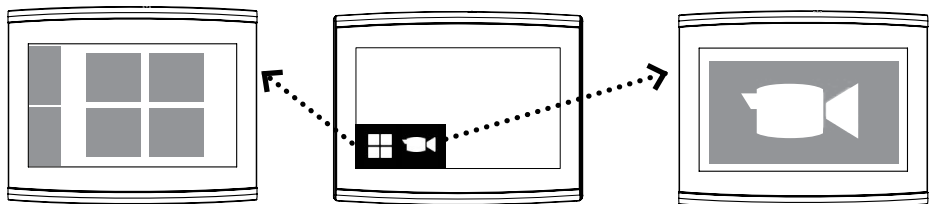
5. Operations



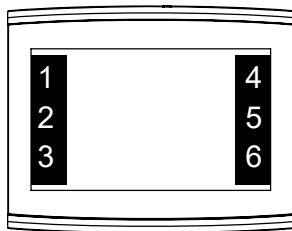
5.1 Other gestures









5.2 Menu on Work View



5.3 Buttons on map



- 1  Record track
- 2  Pause the track
- 3  Stop the record
- 4  Auto / Manual
- 5  Manual right
- 6  Manual left

6. Product conformity information

6.1 Simplified EU declaration of conformity

Hereby, AvMap Srl, Viale Zaccagna 6, 54033 Carrara (MS), Italy declares that the radio equipments in the following table are in compliance with Directive 2014/53/EU.

G7 Datasheet	P3MJ56WWAM
--------------	------------

The full text of the EU declaration of conformity is available at the following internet address: eudeclaration.avmap.it

6.2 Simplified UK declaration of conformity

Hereby, AvMap Srlu, Viale Zaccagna 6, 54033 Carrara (MS), Italy declares that the radio equipment in the following table is in compliance with the relevant statutory requirements:

G7 Datasheet	P3MJ56WWAM
--------------	------------

The full text of the UK declaration of conformity is available at the following internet address: eudeclaration.avmap.it

7. Safety Information

AvMap disclaims any liability deriving from an improper use or installation of the product in a way that may violate the regulations and safety. It is highly recommended that the installation of the product will be performed by a qualified maintenance technician. Consult the Installation manual for a correct installation procedure.

8. Technical Specifications

- Dimensions: 188 x 146 x 33 mm (7.40" x 5.74" x 1.29")
- Weight: 640 g
- Display: 7"
- Display resolution: 1024 x 600 px
- Display brightness: 1000 nits
- Touch-screen: capacitive multi-touch
- Built-in GPS: WAAS/EGNOS/MSAS/GAGAN
- Memory card: MicroSD slot
- Wireless LAN connection capability
- Water and dustproof: IP56
- Supply voltage: 10-35 Vdc
- Operating temperature: -20°C / +65°C (-4°F / +149°F)
- Storage temperature: -30°C / +80°C (-22°F / +176°F)
- Transmitting frequency range: 2400 - 2483 MHz
- Maximum transmitting power: 100 mW
- Maximum power consumption: 1.5 A @ 12 V

AvMap Srl
Viale Zaccagna, 6
54033 Carrara (MS), Italy
www.avmap.it
support@avmap.it

www.farmnavigator.com