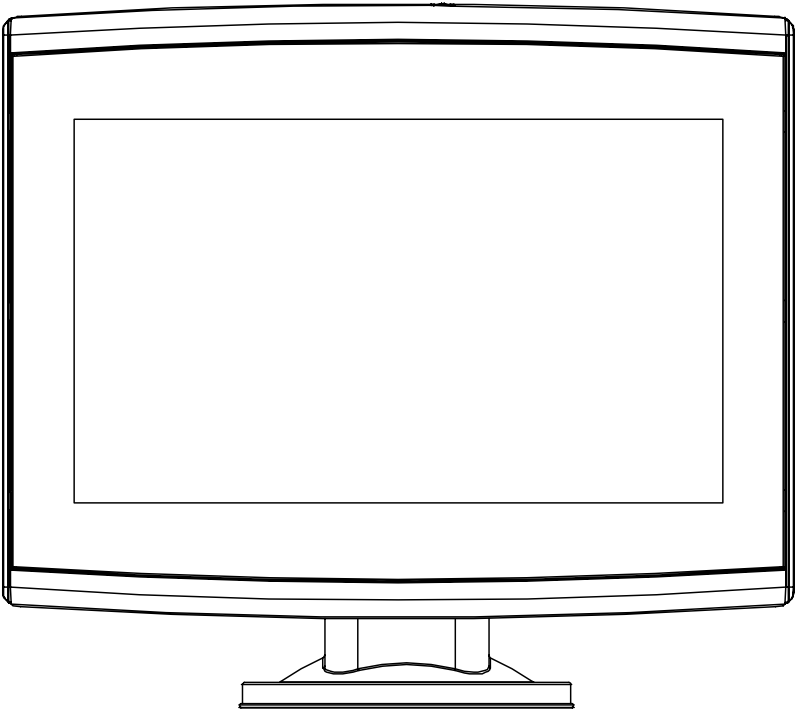




MMG7DFMAE011

FARMNAVIGATOR



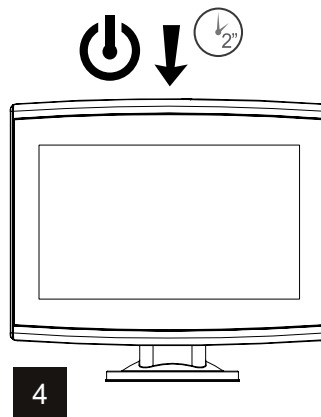
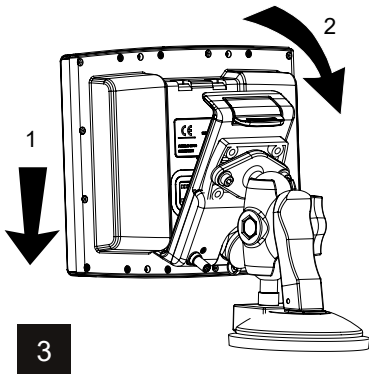
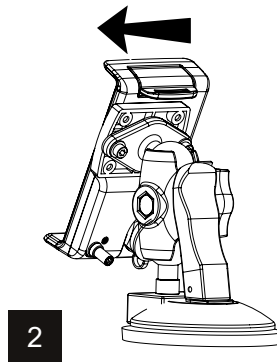
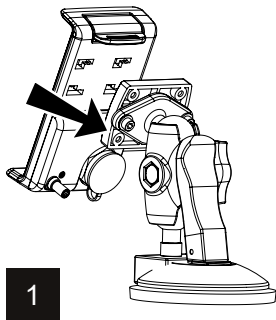
G7 *Dataseed*

INSTALLATION MANUAL

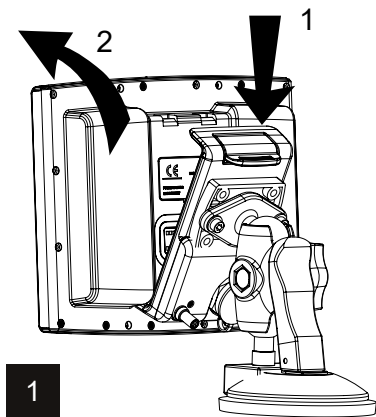
1. Technical Specifications

- Dimensions: 188 x 146 x 33 mm (7.40" x 5.74" x 1.29")
- Weight: 640 g
- Display: 7"
- Display resolution: 1024 x 600 px
- Display brightness: 1000 nits
- Touch-screen: capacitive multi-touch
- Built-in GPS: WAAS/EGNOS/MSAS/GAGAN
- Memory card: MicroSD slot
- Wireless LAN connection capability
- Water and dustproof: IP56
- Supply voltage: 10-35 Vdc
- Operating temperature: -10°C / +60°C (+14°F / +140°F)
- Storage temperature: -30°C / +80°C (-22°F / +176°F)
- Transmitting frequency range: 2400 - 2483 MHz
- Maximum transmitting power: 100 mW
- Maximum power consumption: 1.5 A @ 12 V

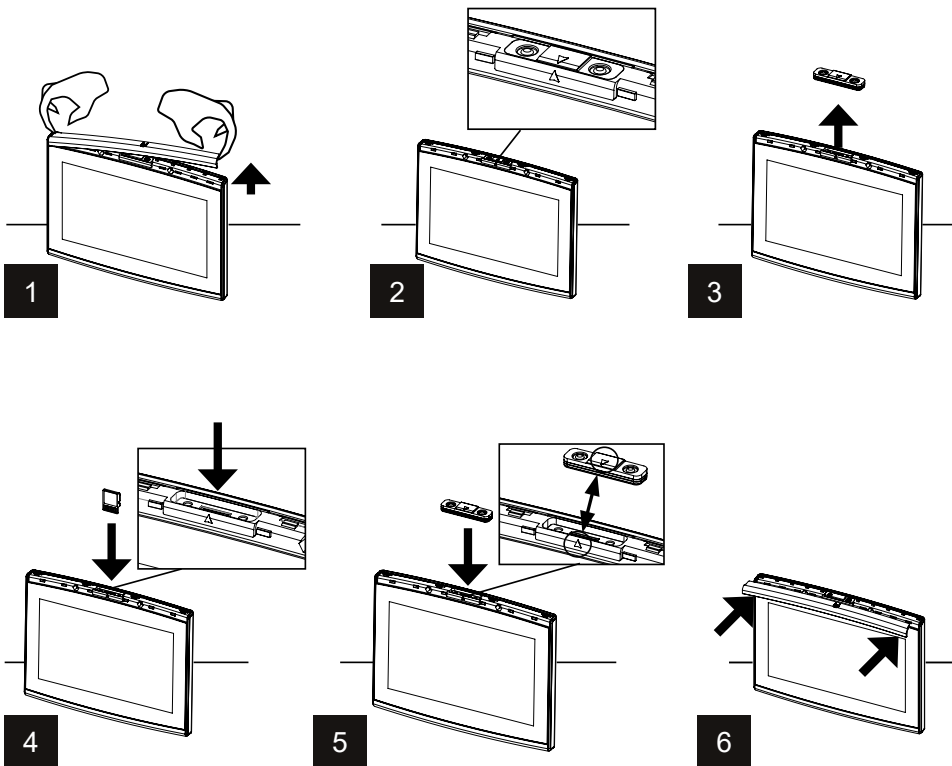
2. Installation



2.1 To uninstall



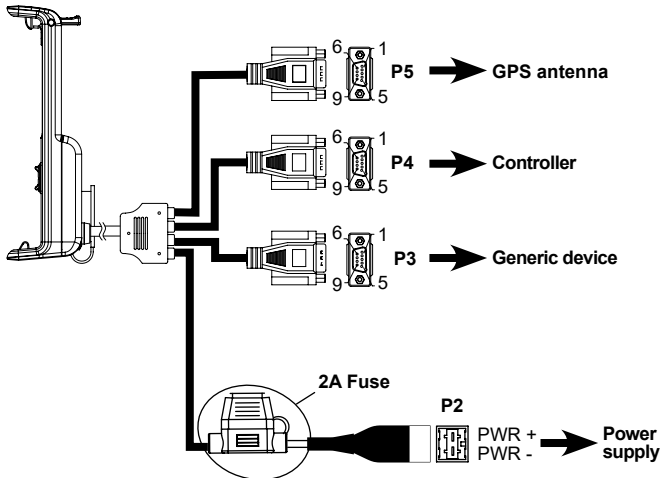
3. MicroSD instructions



4. Connections scheme



Wireless LAN connection capability



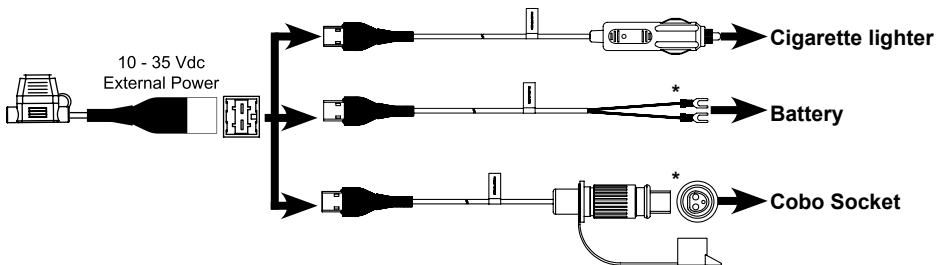
P5 PIN-OUT	
PIN n°	Function
2	GPS TX
3	GPS RX
4	GPS VCC
5	GPS GND

P4 PIN-OUT	
PIN n°	Function
2	DEVICE 2 TX
3	DEVICE 2 RX
5	DEVICE 2 GND

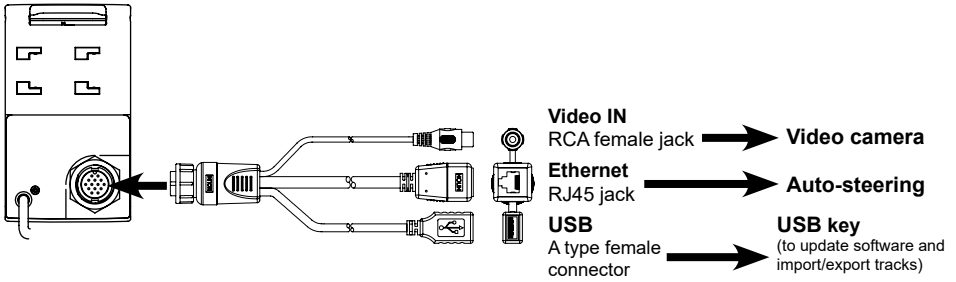
P3 PIN-OUT	
PIN n°	Function
2	DEVICE 1 TX
3	DEVICE 1 RX
4	DEVICE 1 VCC
5	DEVICE 1 GND
9	EXTERNAL ALARM

Images are for illustrative purpose only and can differ from the real product.

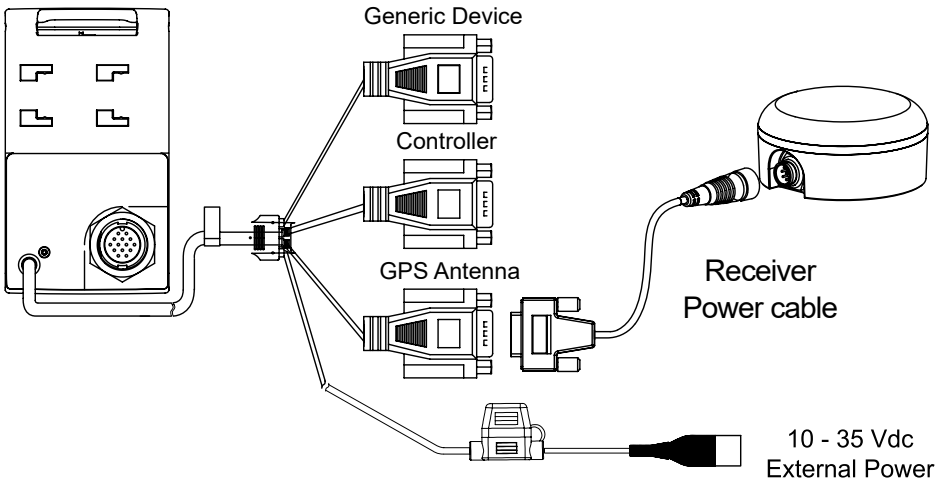
4.1 Power supply connection



4.2 USB, video camera and Ethernet connection



4.3 Connection to All in One RTK

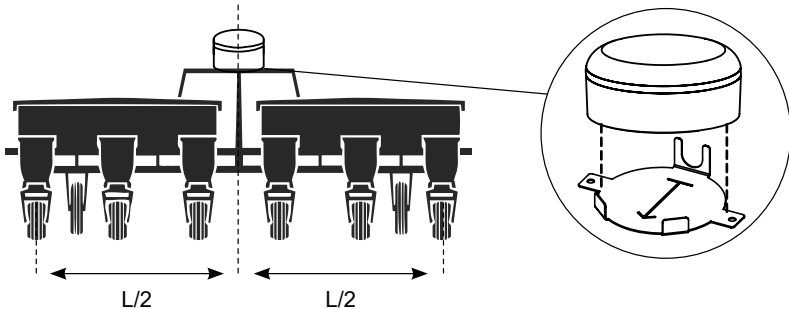


4.3.1 All in One RTK installation on the implement

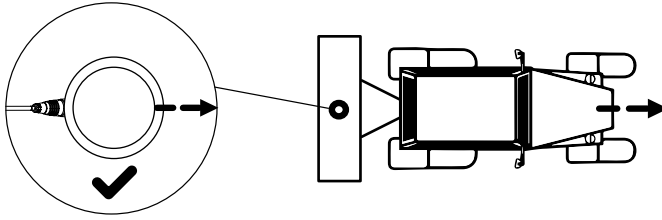
In order to achieve the highest accuracy, the receiver must be installed following the instructions below:

1. All In One RTK must be installed on the center of the implement.

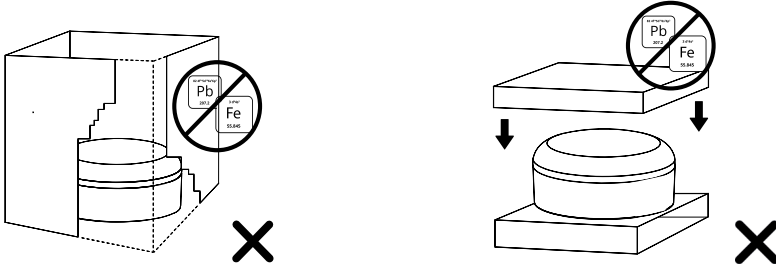
The center has to be measured accurately!



2. All in One RTK must be installed horizontally, using the Steady Steel Bracket to avoid vibrations
3. The connector for power cable must be oriented opposite to the driving direction.



4. Do not cover the All in One RTK with metal or plastic parts, keep it clean and in safety position.

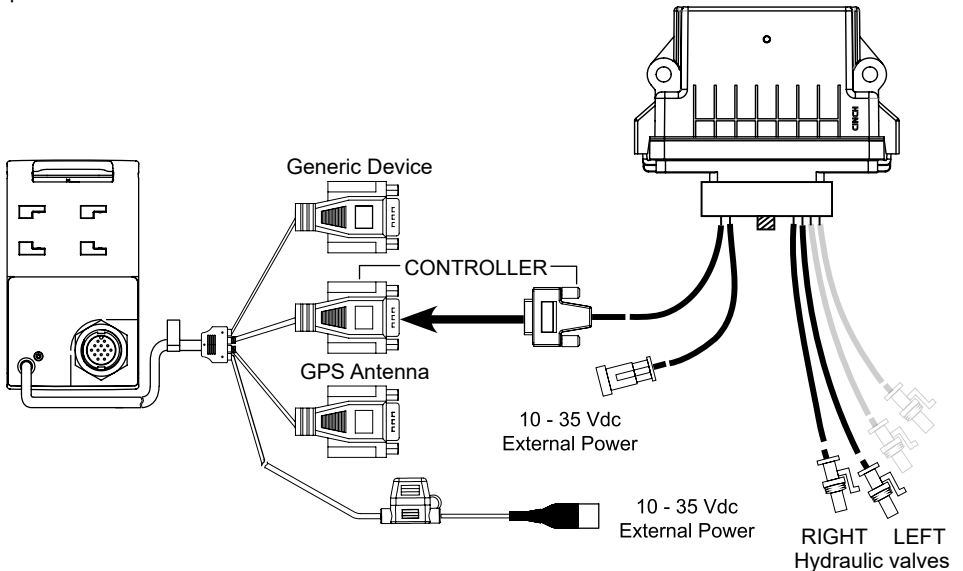


Please refer to the All in One RTK Installation manual for more details.

4.4 Connection to ECU Dataseed (if included)

WARNING: Before connecting the ECU Dataseed make sure you are in a safe condition.

ECU Dataseed must be firmly installed in a position where any damages to the ECU, cables and other parts are avoided.



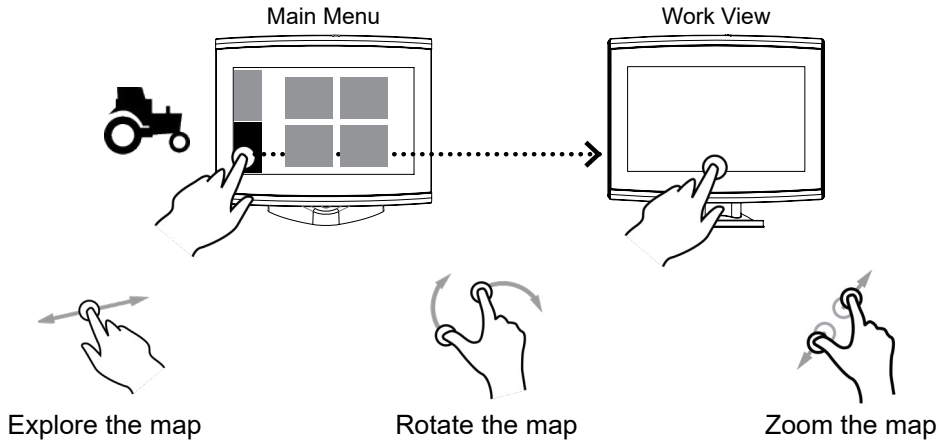
To complete the installation:

1. Use a 1/4 inch nut driver to fix the main cable harness connector to the ECU Datasseed.
2. Fix the right and left connectors to the hydraulic valve on the implement.
3. Connect the power cable to the switched power.

IMPORTANT: the G7 Datasseed does not switch off automatically the ECU Datasseed.

Please refer to the ECU Datasseed Installation manual for more details.

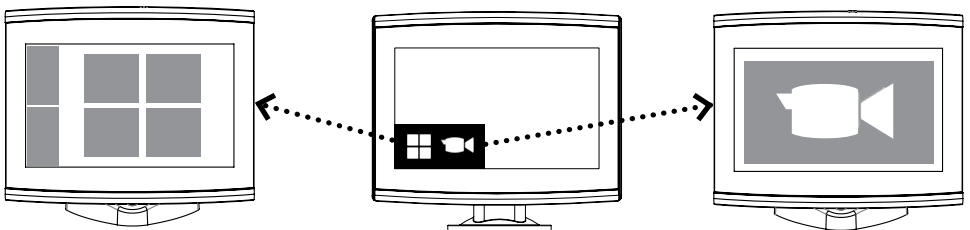
5. Operations



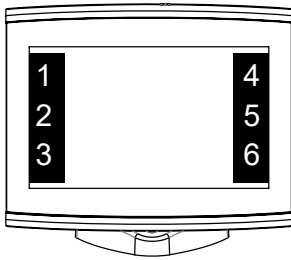
5.1 Other gestures









5.2 Menu on Work View



5.3 Buttons on map



1		Record track
2		Pause the track
3		Stop the record
4		Auto / Manual
5		Manual right
6		Manual left

6. Simplified EU declaration of conformity

Hereby, AvMap Srl, Viale Zaccagna 6, 54033 Carrara (MS), Italy declares that the radio equipments in the following table are in compliance with Directive 2014/53/EU.

G7 Datasseed	P3MJ56WWAM
--------------	------------

The full text of the EU declaration of conformity is available at the following internet address: eudeclaration.avmap.it

7. Safety Information

AvMap disclaims any liability deriving from an improper use or installation of the product in a way that may violate the regulations and safety. It is highly recommended that the installation of the product will be performed by a qualified maintenance technician. Consult the Installation manual for a correct installation procedure.

AvMap Srl
Viale Zaccagna, 6
54033 Carrara (MS), Italy
www.avmap.it
support@avmap.it

www.farmnavigator.com