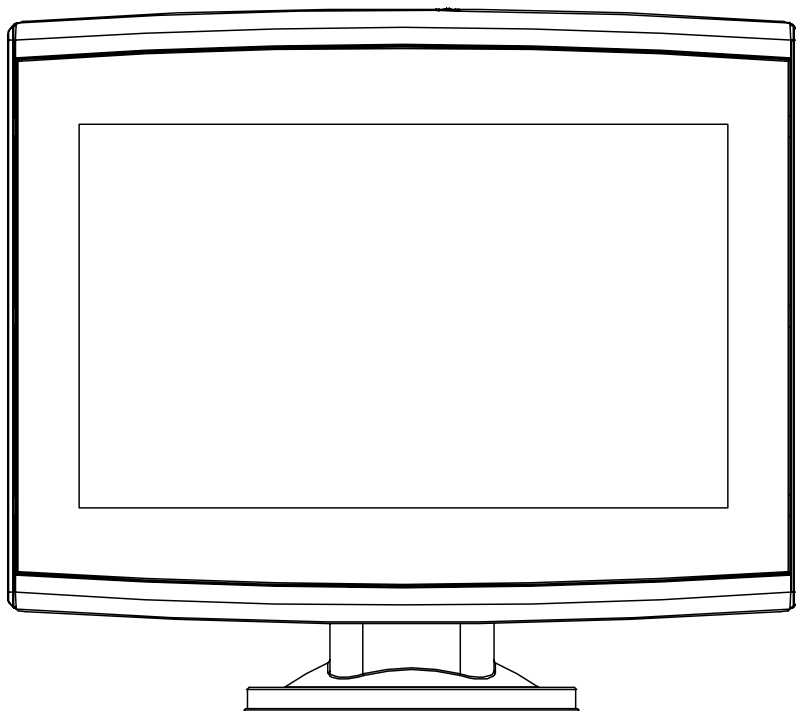




MM67FANAE060

AvMAP

SATELLITE NAVIGATION



G7[®] FARMNAVIGATOR

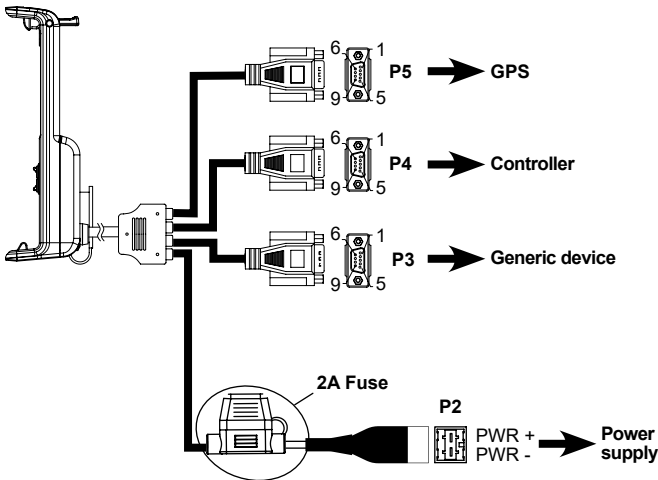
INSTALLATION MANUAL

1. Technical Specifications

- Dimensions: 188 x 146 x 33 mm (7.40" x 5.74" x 1.29")
- Weight: 640 g
- Display: 7"
- Display resolution: 1024 x 600 px
- Display brightness: 1000 nits
- Touch-screen: capacitive multi-touch
- Built-in GPS*: WAAS/EGNOS/MSAS/GAGAN
- Wireless LAN connection capability*
- BT wireless technology capability* (compatible with A2DP profile for audio)
- Water and dustproof: IP56
- Supply voltage: 10-35 Vdc
- Operating temperature: -10°C / +60°C (+14°F / +140°F)
- Storage temperature: -30°C / +80°C (-22°F / +176°F)
- Transmitting frequency range: 2400 - 2483 MHz
- Maximum transmitting power: 1 mW (or 100 mW)*
- Maximum power consumption: 1.5 A @ 12 V

*G7 Plus Farnnavigator

2. Connections scheme



P5 PIN-OUT	
PIN n°	Function
2	GPS TX
3	GPS RX
4	GPS VCC
5	GPS GND

P4 PIN-OUT	
PIN n°	Function
2	DEVICE 2 TX
3	DEVICE 2 RX
5	DEVICE 2 GND

P3 PIN-OUT	
PIN n°	Function
2	DEVICE 1 TX
3	DEVICE 1 RX
4	DEVICE 1 VCC
5	DEVICE 1 GND
9	EXTERNAL ALARM

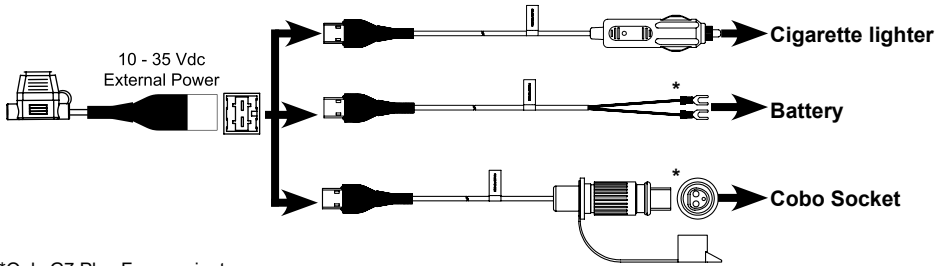
Images are for illustrative purpose only and can differ from the real product.



Wireless LAN connection capability*

*Only for G7 Plus

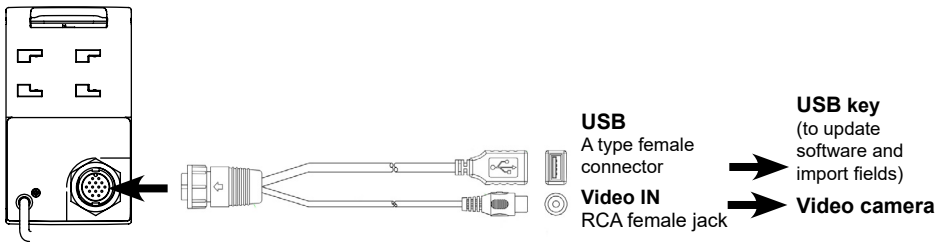
2.1 Power supply connection



*Only G7 Plus Farmnavigator

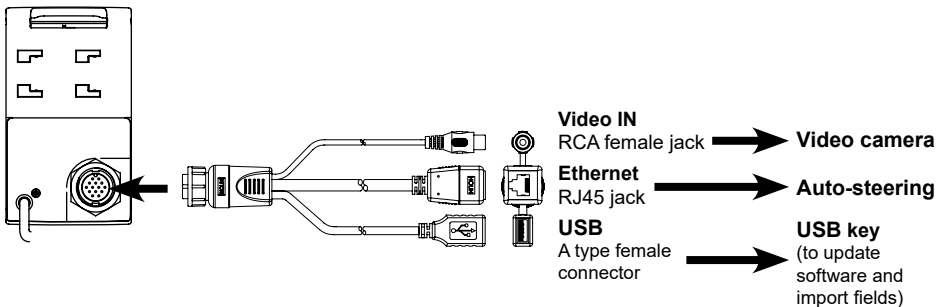
2.2 USB and video camera connection

(Using the cable included in G7 Ezy Farmnavigator)

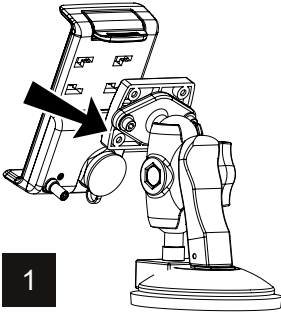


2.3 USB, video camera and Auto-steering connection

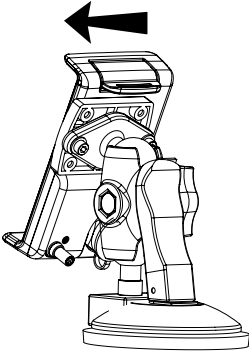
(Using the cable included in G7 Plus Farmnavigator)



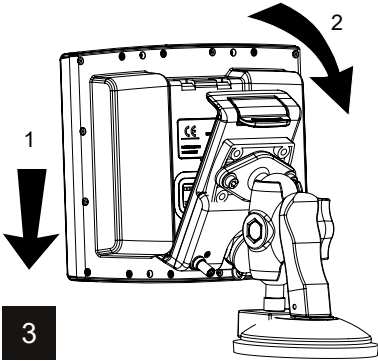
3. Bracket assembly



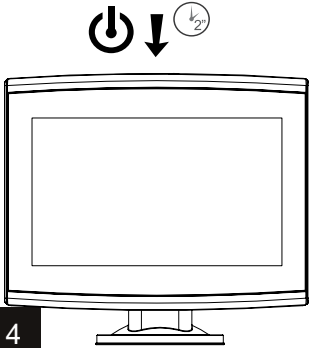
1



2

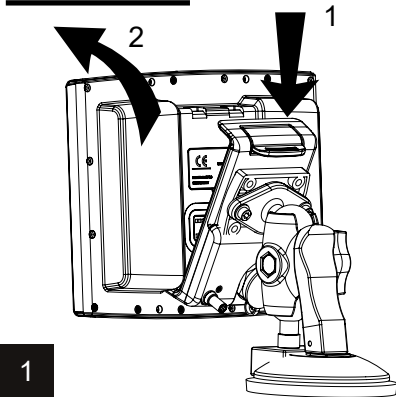


3



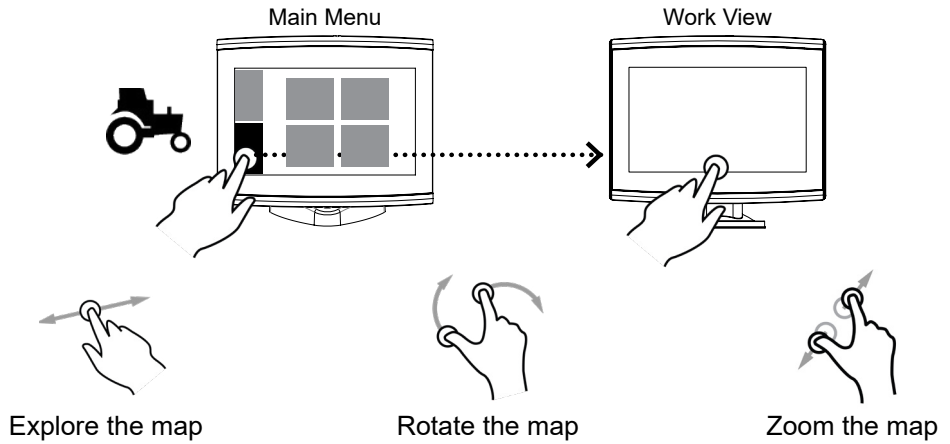
4

3.1 To uninstall



1

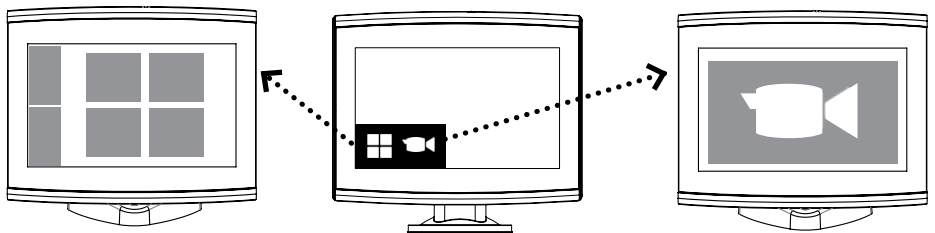
4. Operations



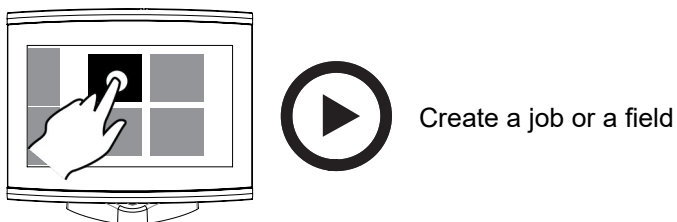
4.1 Other gestures



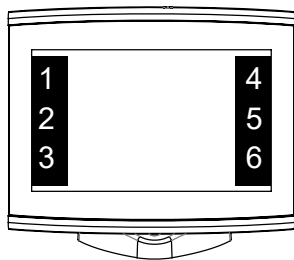
4.2 Menu on Work View



4.3 Start a Job



4.4 Buttons on map



1		Create and manage guidelines	G7 EZY G7 PLUS
2		Create a field	G7 EZY G7 PLUS
3		To set the headland area	G7 EZY G7 PLUS
4		Start/Stop autosteering	G7 PLUS
		Save mark	G7 EZY
5		Nudge control	G7 EZY G7 PLUS
6		Start/Stop the job	G7 EZY G7 PLUS

5. Simplified EU declaration of conformity

Hereby, AvMap Srl, Viale Zaccagna 6, 54033 Carrara (MS), Italy declares that the radio equipments in the following table are in compliance with Directive 2014/53/EU.

G7 PLUS FARMNAVIGATOR	P3MJ52WWAM, P3MJ52TWAM
G7 EZY FARMNAVIGATOR	P3MJ52WBAM, P3MJ520BAM, P3MJ520BTU, P3MJ520BCF, P3MJ520BAR

The full text of the EU declaration of conformity is available at the following internet address:
eudeclaration.avmap.it

6. Safety Information

AvMap disclaims any liability deriving from an improper use or installation of the product in a way that may violate the regulations and safety. It is highly recommended that the installation of the product will be performed by a qualified maintenance technician. Consult the Installation manual for a correct installation procedure.



FARMNAVIGATOR

AvMap Srl
Viale Zaccagna, 6
54033 Carrara (MS), Italy
www.avmap.it
support@avmap.it

www.farmnavigator.com