

#### 4. Simplified EU declaration of conformity

---

This device complies with Directive 2014/30/EU and Directive 2014/35/EU.

The full text of the EU declaration of conformity is available at the following internet address:  
[eudeclaration.avmap.it](http://eudeclaration.avmap.it)

#### 5. Safety Information

---

AvMap disclaims any liability deriving from an improper use or installation of the product in a way that may violate the regulations and safety. It is highly recommended that the installation of the product will be performed by a qualified maintenance technician. Consult the Installation manual for a correct installation procedure.

**FARMNAVIGATOR**

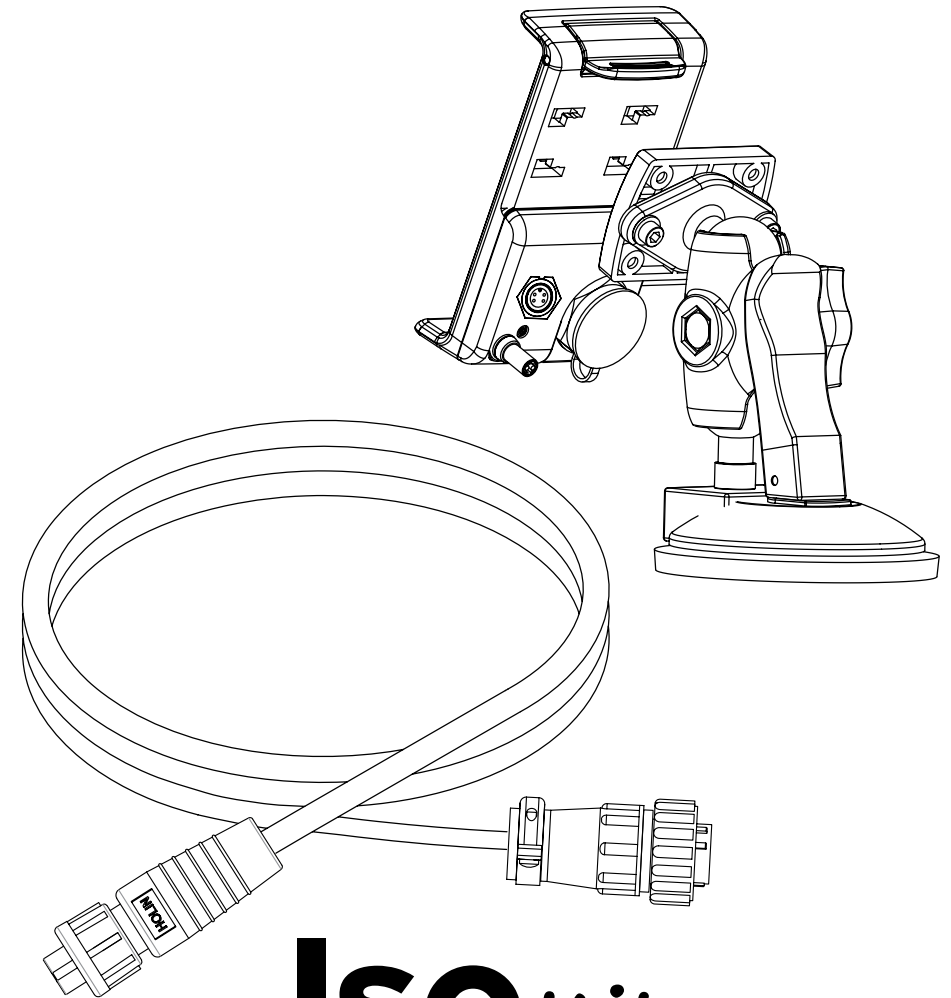
AvMap Srl  
Viale Zaccagna, 6  
54033 Carrara (MS), Italy  
[www.avmap.it](http://www.avmap.it)  
[support@avmap.it](mailto:support@avmap.it)

[www.farmnavigator.com](http://www.farmnavigator.com)



MMGZANAE010

**FARMNAVIGATOR**



**ISO Kit**  
**QUICK GUIDE**

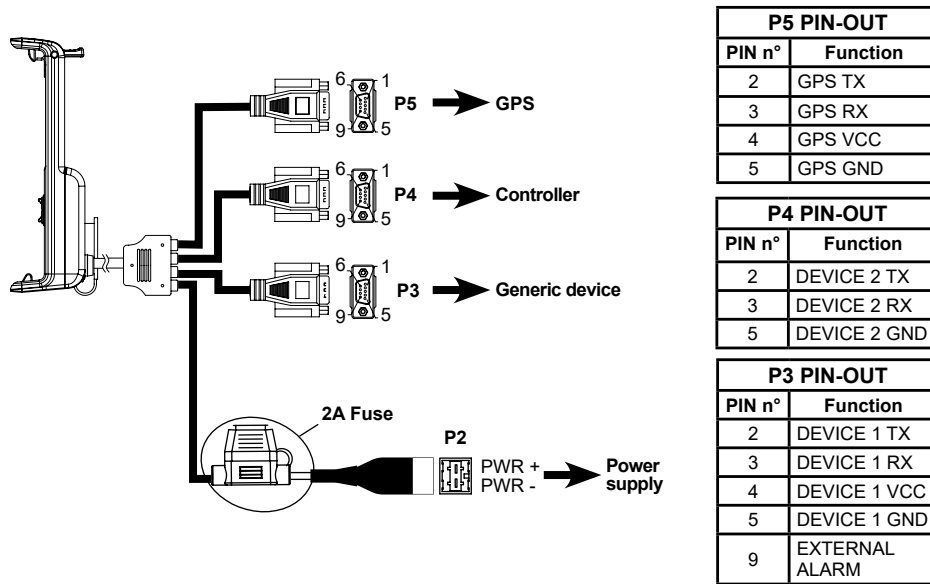
## 1. Product description

The FARMNAVIGATOR Iso Kit adds ISOBUS features to your G7 system.

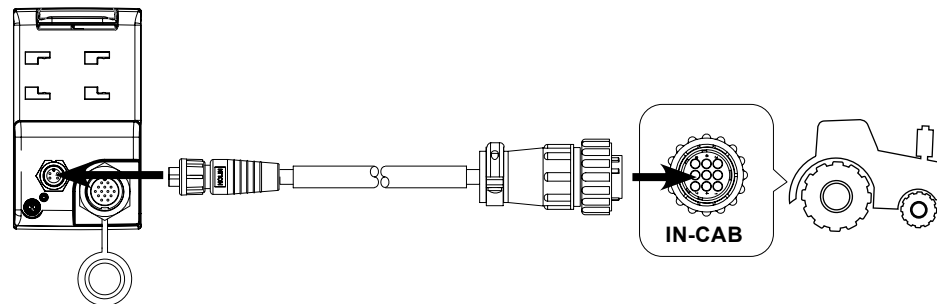
### 1.1 Content of the package

- Powered bracket with:
  - 3 x serial ports (2 x DB9 powered 12 V DC, 1 x DB9)
  - 1 x power supply connector
  - 1 x 14 pin connector (USB, Video IN, Ethernet compatible)
  - 1 x 4 pin connector (CAN - ISOBUS compatible)
- In-cab connection cable

## 2. Connections scheme



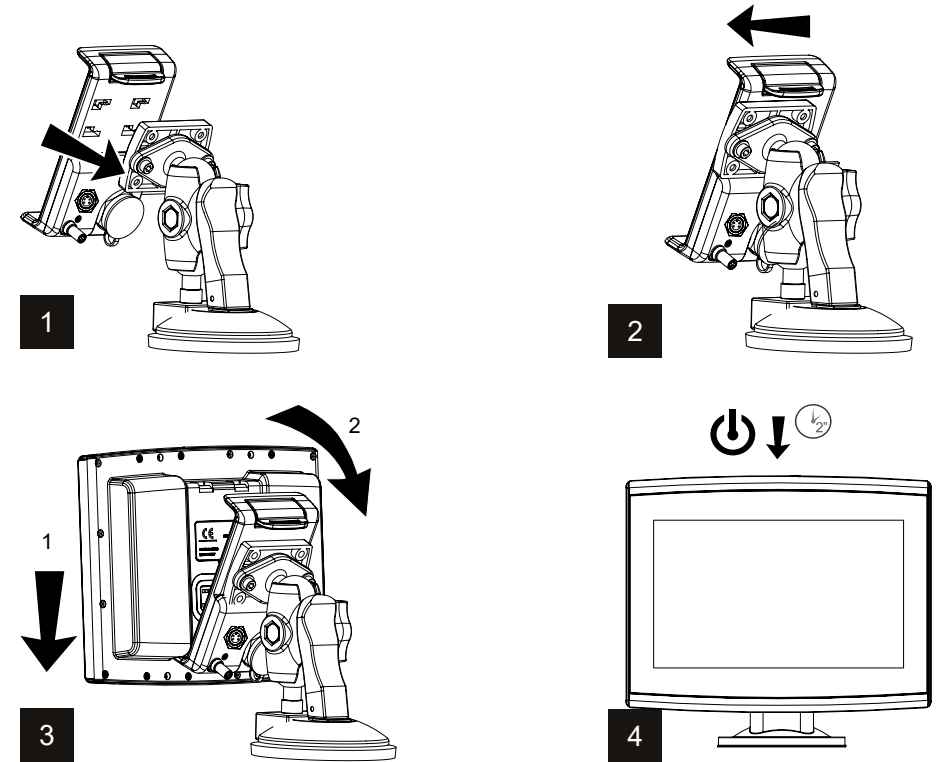
### 2.1 In-cab cable connection



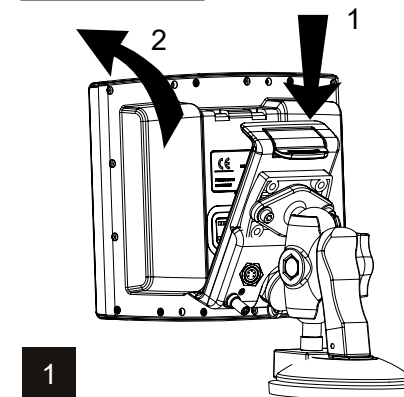
**ATTENTION:** The In-cab cable is not waterproof. Do not use outside the tractor cab.

## 3. Bracket assembly

### 3.1 To install



### 3.2 To uninstall



Images are for illustrative purpose only and can differ from the real product.