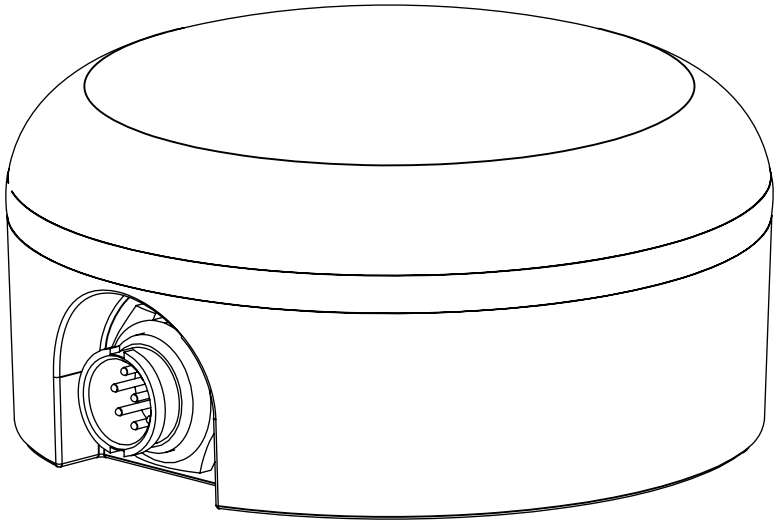


SPGTRFMAE010

FARMNAVIGATOR



All in One RTK
NTRIP SETUP

1. Introduction

NTRIP technology is a protocol that allows to receive GPS corrections via Internet connection from dedicated base stations. Activating the NTRIP the performance and precision of your GNSS receiver will be improved.

NOTE: this feature is supported only by G7 Plus and G7 Iso.

2. All in One RTK receiver connection and GPS fix check

1. Connect the All in One RTK receiver to G7 Farmnavigator powered bracket (Figure 2.1);

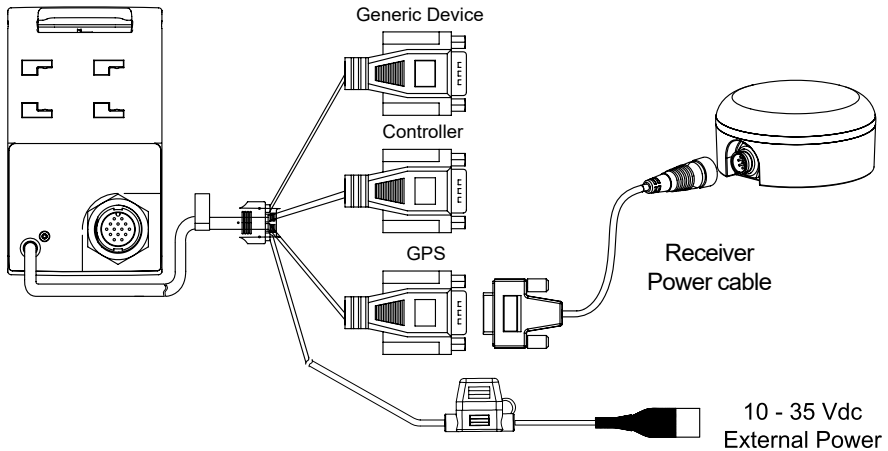


Figure 2.1

2. Connect the G7 Farmnavigator to powered bracket;
3. Power on G7 Farmnavigator;
4. In the Main Menu tap on "SETUP" (Figure 2.2);



Figure 2.2

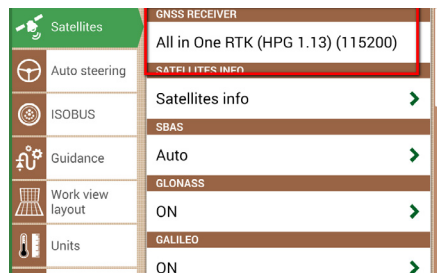


Figure 2.3

5. Select "Satellites" and in the field "GNSS RECEIVER" shall appear the name "All in one RTK" (Figure 2.3);
6. Tap on "Satellites info" and wait a valid positions status (3D or DGPS fix) (Figure 2.4).

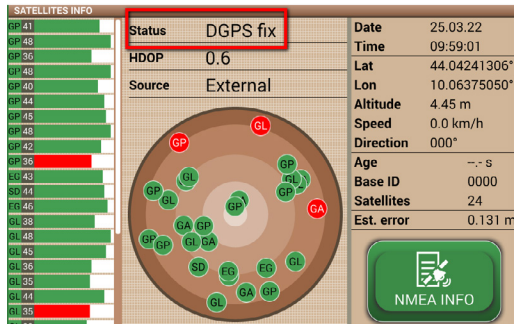


Figure 2.4

3. NTRIP configuration

1. In the Main Menu tap on “SETUP” button (Figure 3.1)



Figure 3.1

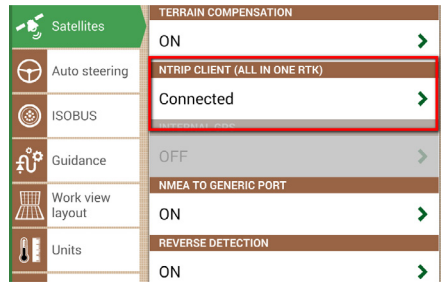


Figure 3.2

2. Select “Satellites” and tap on “NTRIP CLIENT (All in One RTK)” (Figure 3.2);
 3. Fill the fields shown in Figure 3.3 (account are provided by your dealer or by your NTRIP provider)
 - Server
 - Port
 - User name
 - Password
 - Mount point
- then tap on “Connect”;

4. Wait about 3 minutes, then all icons shall be green (Figure 3.4) and NTRIP services is active.

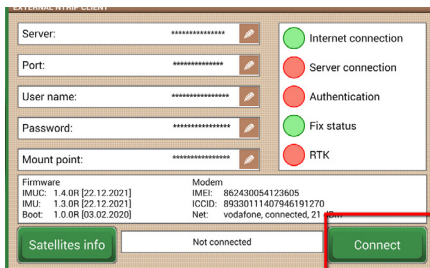


Figure 3.3

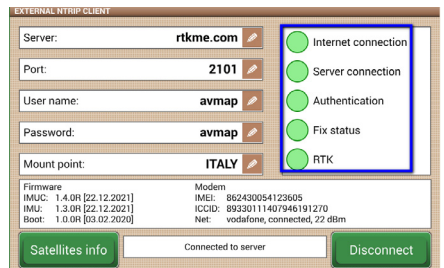


Figure 3.4

Now, your All in one RTK receiver is ready to use.



FARMNAVIGATOR

AvMap Srl
Viale Zaccagna, 6
54033 Carrara (MS), Italy
www.avmap.it
support@avmap.it
www.farmnavigator.com