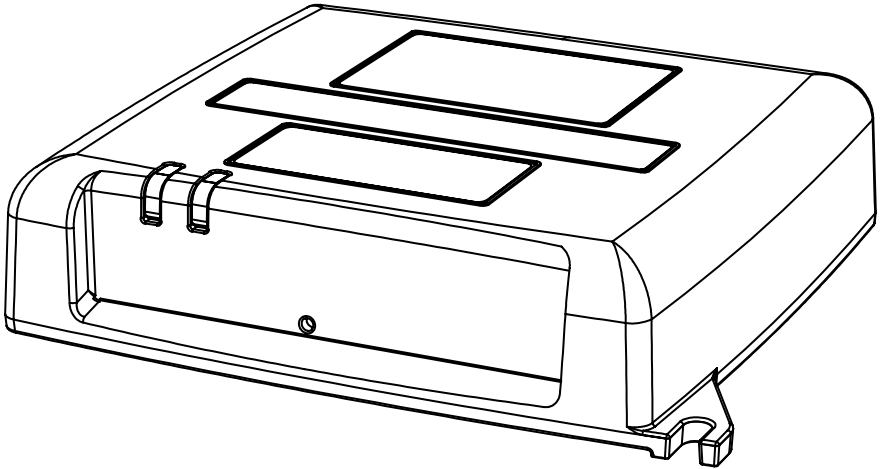




MM4GSFMAE022

# FARMNAVIGATOR



## **4G** *AgriSIM* INSTALLATION MANUAL



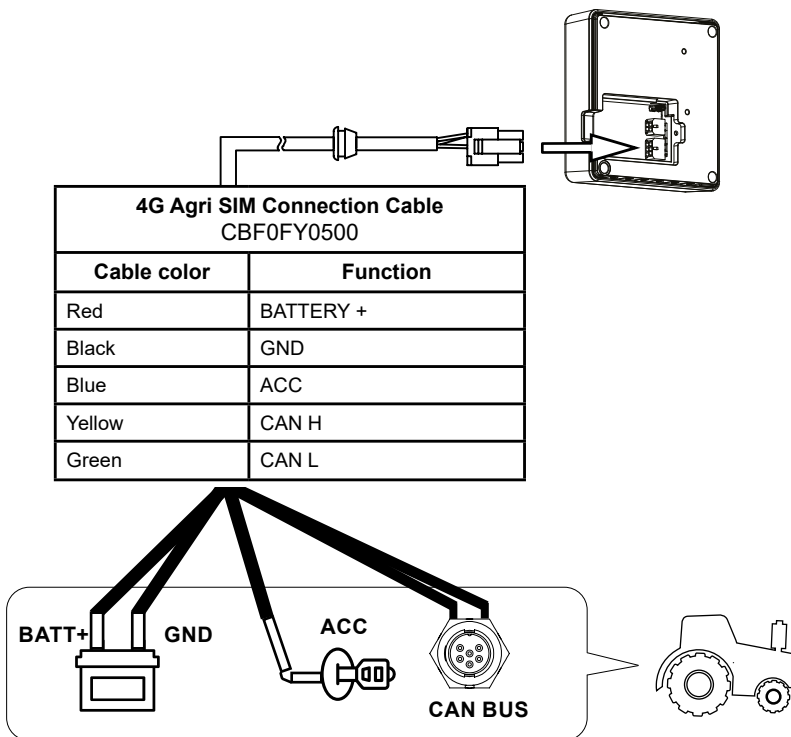
# 1. Content of the package

- 4G Agri SIM
- 4G Agri SIM Connection Cable
- Adhesive tape
- CAN adapter device

## 2. Connection and Installation

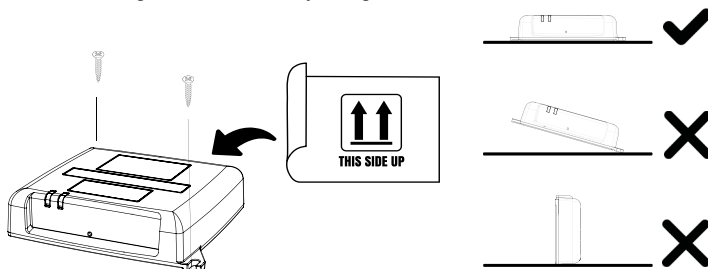
### 2.1 4G Agri SIM

Here below is presented the connection scheme of your 4G Agri SIM.

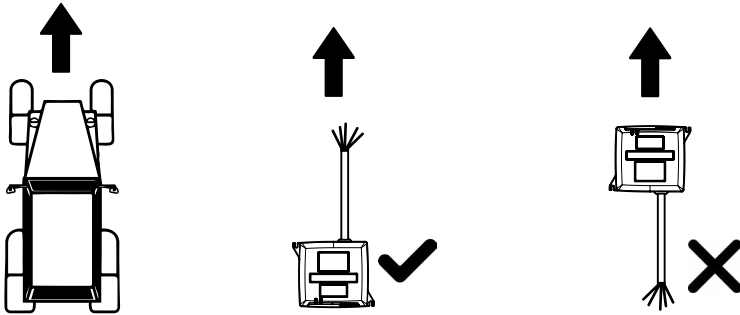


#### Installation steps:

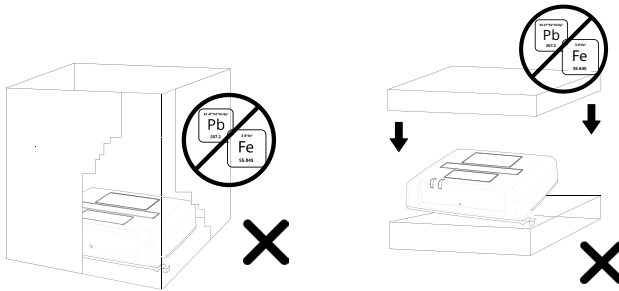
1. Install the 4G Agri SIM horizontally fixing both screws



2. The cable of the 4G Agri SIM must be in the forward direction



3. Do not cover the 4G Agri SIM with metallic parts



## 2.2 Installation and Connection of CAN adapter device (optional)

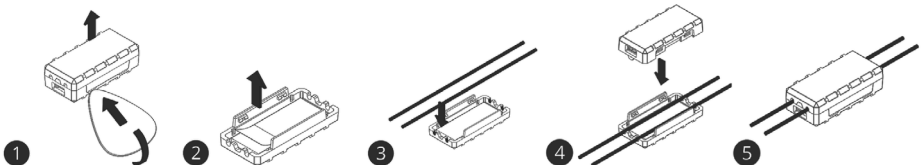
**NOTE:** The CAN adapter is a warranty-friendly device that enables non-intrusive, contactless access to the vehicle's CAN bus data. It connects in parallel and reads CAN data (it cannot write on CAN), without the need to cut or splice any wires, preserving the original wiring and ensuring compliance with manufacturer warranty requirements.

### **Installation steps:**

1. Gently open the device's cover using a plastic pry tool from both sides;
2. Remove backing material on double-sided adhesive tape;
3. Insert CAN-H and CAN-L wires into the correct slots and close the device;
4. Connect the device's wires to the 4G Agri SIM as follows:

| Function     | CAN adapter Wire Color | Connect to | 4G Agri SIM Wire Color |
|--------------|------------------------|------------|------------------------|
| CAN-H        | White/Blue             | CAN-H      | Yellow                 |
| CAN-L        | Blue                   | CAN-L      | Green                  |
| VCC (Power)  | Red                    | ACC        | Blue                   |
| GND (Ground) | Black                  | GND        | Black                  |

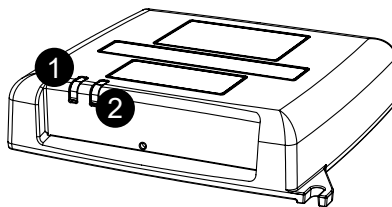
5. Device is ready to use.



## 3. Getting started with 4G Agri SIM

### 3.1 Appearance

1. Cellular Network indicator
2. Wi-Fi indicator



#### LED indicators

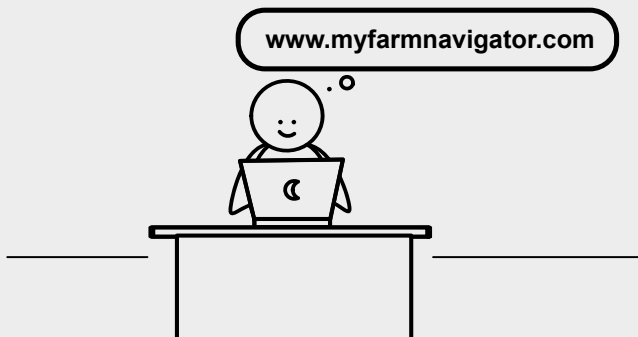
| Led Indicator    | Status         | Description  |
|------------------|----------------|--|
| Cellular Network | Red            | No signal (or failed registration/connection to the network as in case of APN missing) |
|                  | Green          | Successfully registered and connected to the network                                   |
|                  | Green blinking | Transmitting data  |
|                  | Blue           | Successfully registered and connected to the network in roaming*                       |
|                  | Blue blinking  | Transmitting data when roaming   |
| Wi-Fi            | Red            | Wi-Fi initialization phase or in case of Wi-Fi failure                                 |
|                  | Green          | Ready for client access and connection   |
|                  | Green blinking | Wi-Fi client(s) connected  |

**NOTE:** after switching off your engine, the 4G Agri SIM will remain active up to 30 seconds. This is a normal behavior.

## How to activate 4G Agri SIM

### A. Register 4G Agri SIM to get instant access to Internet services

In order to register your 4G Agri SIM, access [www.myfarmnavigator.com](http://www.myfarmnavigator.com) website and complete the registration in few simple steps. Once it has been registered successfully, your 4G Agri SIM starts sharing information with the remote server.



### B. List of countries where the Internet services are supported

Andorra, Austria, Belgium, Bulgaria, Cyprus, Croatia, Denmark, Estonia, Finland, France, Greece, Germany, Hungary, Iceland, Ireland, Italy, Latvia, Liechtenstein, Lithuania, Luxembourg, Malta, Netherlands, Norway, Poland, Portugal, Czech Republic, Romania, UK, Spain, Slovakia, Slovenia, Sweden, Switzerland.

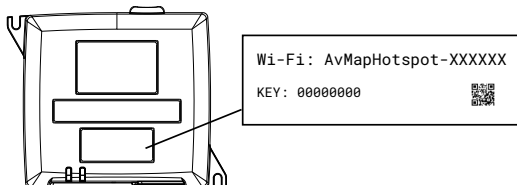
Contact [support@avmap.it](mailto:support@avmap.it) for info about Internet services in other countries.

## 3.2 Connecting your device(s)

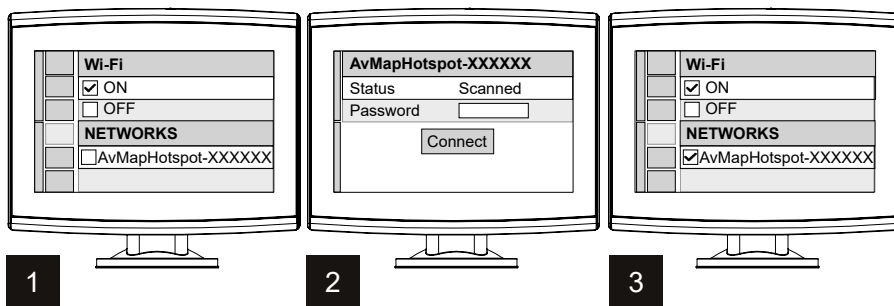
4G Agri SIM provides connectivity to your FARMNAVIGATOR devices.

1. Open the G7 Farmnavigator Wi-Fi settings;
2. Select **AvMapHotspot-XXXXXX** among the available networks;
3. Insert the password.

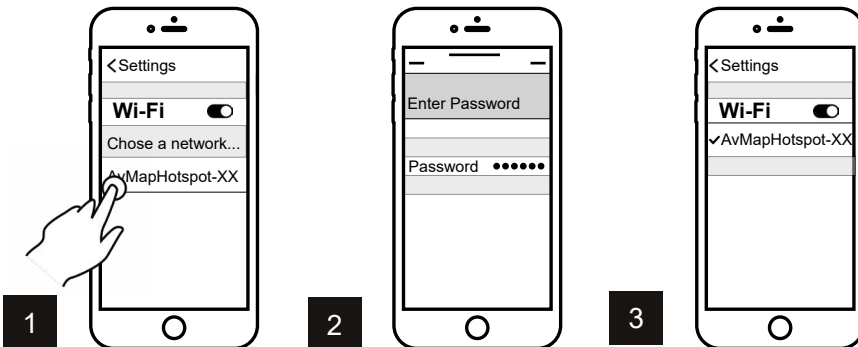
**NOTE:** the default SSID and the default password key are printed on the labels which are both on the top side of the device and on the front page of this manual.



### Connecting G7 Farmnavigator for the telematics services



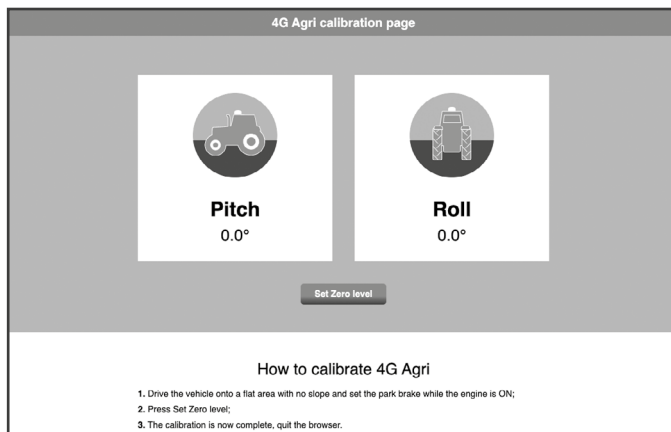
### Connecting a smartphone or any other mobile device for the calibration procedure (par. 4.4)



**NOTE:** 4G Agri SIM is designed to operate exclusively with AvMap Displays in order to provide access to the cloud services related to Smart agriculture features

### 3.3 Calibration

1. Drive the vehicle onto a flat area with no slope and set the park brake while the engine is ON;
2. Connect via Wi-Fi your PC or mobile device to the 4G Agri SIM (read par 4.3);
3. Access to the page **192.168.0.1/calib**
4. Press **Set Zero level**;
5. The calibration is now complete, quit the browser.



## 4. Main Settings Configuration

Settings can be changed online, using a Wi-Fi device (laptop or smartphone) connected to the Internet through the 4G Agri SIM.

1. To access the main settings page enter in the address bar of your Browser: **192.168.0.1**
2. The main settings page is protected by a Login password that must be modified at first access. Default password is: **admin**.  
It is possible to modify the Login password anytime using the **Modify Login Password** setting (read par 5.2).

The Main settings menu include Connected devices and Wi-Fi settings.

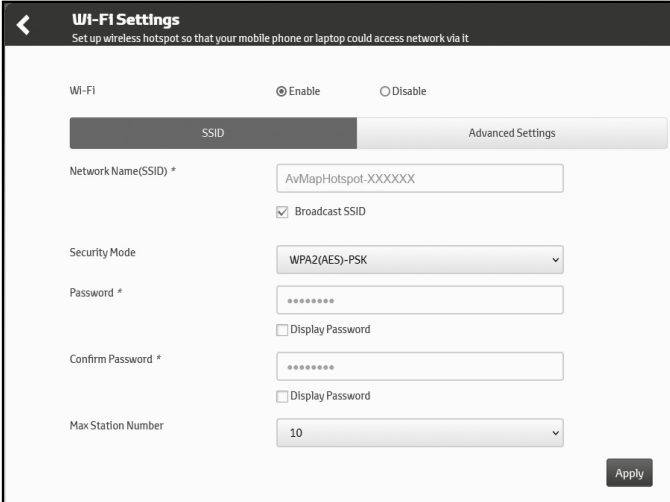
### 4.1 Connected devices

You can check the list of devices connected to your 4G Agri SIM by pressing the Connected Devices button in the main settings page. For each device, the name and the MAC address are shown.

## 4.2 Wi-Fi connection and settings

You can change the basic settings of your 4G Agri SIM Wi-Fi network through the Wi-Fi Settings menu as:

- **Network name (SSID):** Enter a string of maximum 32 characters. Upper case, lower case, numbers, standard and enhanced punctuation are allowed.
- **Security mode:** For OPEN mode, there is no need to set password. For WEP, WPA2 (AES)-PSK and WPA-PSK/WPA2-PSK mode, you need to set password for the security.
- **Password:** 8, 32 or 63 characters (upper case, lower case, and numbers) can be used for WPA2 (AES)-PSK and WPA-PSK/WPA2-PSK while 5 or 13 characters (upper case, lower case and numbers) can be used for WEP.
- **Station Number:** Set the numbers of devices connecting to your 4G Agri SIM.



The screenshot shows the 'Wi-Fi Settings' interface. At the top, there is a back arrow and the title 'Wi-Fi Settings' with a subtitle 'Set up wireless hotspot so that your mobile phone or laptop could access network via it'. Below this, there are two radio buttons for 'Wi-Fi': 'Enable' (selected) and 'Disable'. A horizontal bar below the radio buttons has 'SSID' on the left and 'Advanced Settings' on the right. The 'SSID' section contains the following fields:

- 'Network Name(SSID) \*': A text input field containing 'AvMapHotspot.XXXXXX'.
- 'Broadcast SSID': A checked checkbox.
- 'Security Mode': A dropdown menu showing 'WPA2(AES)-PSK'.
- 'Password \*': A text input field with masked characters '\*\*\*\*\*'.
- 'Display Password': An unchecked checkbox.
- 'Confirm Password \*': A text input field with masked characters '\*\*\*\*\*'.
- 'Display Password': An unchecked checkbox.
- 'Max Station Number': A dropdown menu showing '10'.

An 'Apply' button is located at the bottom right of the form.

## 5. Product conformity information

### 5.1 Simplified EU declaration of conformity

Hereby, AvMap Srlu, Viale Zaccagna 6, 54033 Carrara (MS), Italy declares that the equipment in the following table is in compliance with Directive 2014/53/EU

|             |            |
|-------------|------------|
| 4G Agri SIM | UX04GA11AM |
|-------------|------------|

The full text of the EU declaration of conformity is available at the following Internet address: [eudeclaration.avmap.it](http://eudeclaration.avmap.it)

## 6. Safety Information

AvMap disclaims any liability deriving from an improper use or installation of the product in a way that may violate the regulations and safety. It is highly recommended that the installation of the product will be performed by a qualified maintenance technician. Consult the Installation manual for a correct installation procedure.

## 7. Technical specifications

---

### 7.1 4G Agri SIM

- Dimensions: 105 mm x 102.3 mm
- Weight: 166 g
- Built-in GPS
- Triaxial accelerometer + gyro: ACC 500 Hz, min 0.125 g - max 16 g
- CANbus (J1939)
- 4G Modem
- Wi-Fi
- Waterproof: IP55
- Power supply: 9 - 24 Vdc
- Operating temperature: -20°C / + 65°C (-4°F / +149°F)
- Storage temperature: -40°C / + 85°C (-40°F / +185°F)
- Power consumption:
  - 0.33A @12Vdc (4 W) typical;
  - 0.7A @12Vdc (8.5 W) MAX
- Transmission frequency range: 791-2690 MHz

| Technology     | Maximum TX power |
|----------------|------------------|
| GSM 1800       | 29.02 dBm        |
| E-UTRA BAND 3  | 23.02 dBm        |
| UTRA BAND 1    | 23.01 dBm        |
| WLAN           | 14.1 dBm         |
| E-UTRA BAND 7  | 22.04 dBm        |
| E-UTRA BAND 20 | 23.9 dBm         |
| UTRA BAND 8    | 22.9 dBm         |
| GSM 900        | 32.41 dBm        |

### 7.2 CAN adapter device

- Dimensions: 39.0mm x 19.0mm x 12.0 mm (L x W x H)
- Weight: 16,1 g
- CAN-BUS speeds from 33 to 1000 kb/s\*
- Waterproof: IP41
- Power supply: 10 - 30 Vdc
- Operating temperature: -40°C / +85°C
- Operating humidity: Max 85% non-condensing
- Power consumption:
  - 1,7 mA @12Vdc (0,02W) typical
  - 7,5 mA @12Vdc (0,09W) MAX

The logo for FarmNavigator features a stylized green leaf icon above the word "FARMNAVIGATOR" in a bold, black, sans-serif font.

AvMap Srl  
Viale Zaccagna, 6  
54033 Carrara (MS), Italy  
[www.avmap.it](http://www.avmap.it)  
[support@avmap.it](mailto:support@avmap.it)

[www.farmnavigator.com](http://www.farmnavigator.com)