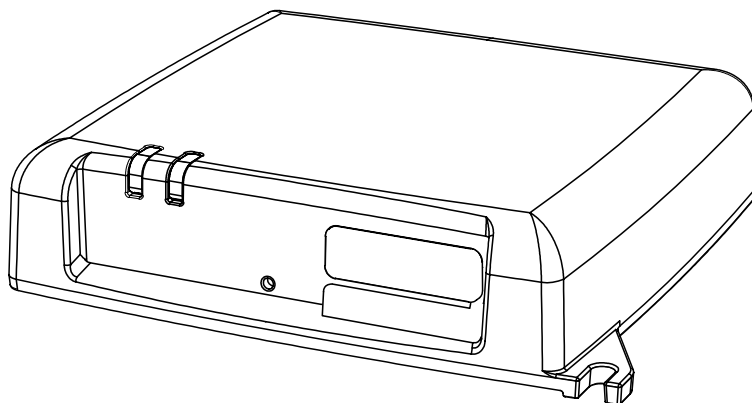




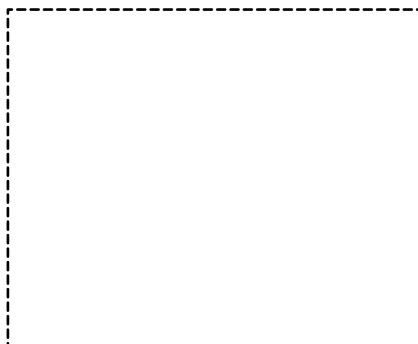
MM4GAFMAE012

# FARMNAVIGATOR

## 4G Agri



### INSTALLATION MANUAL

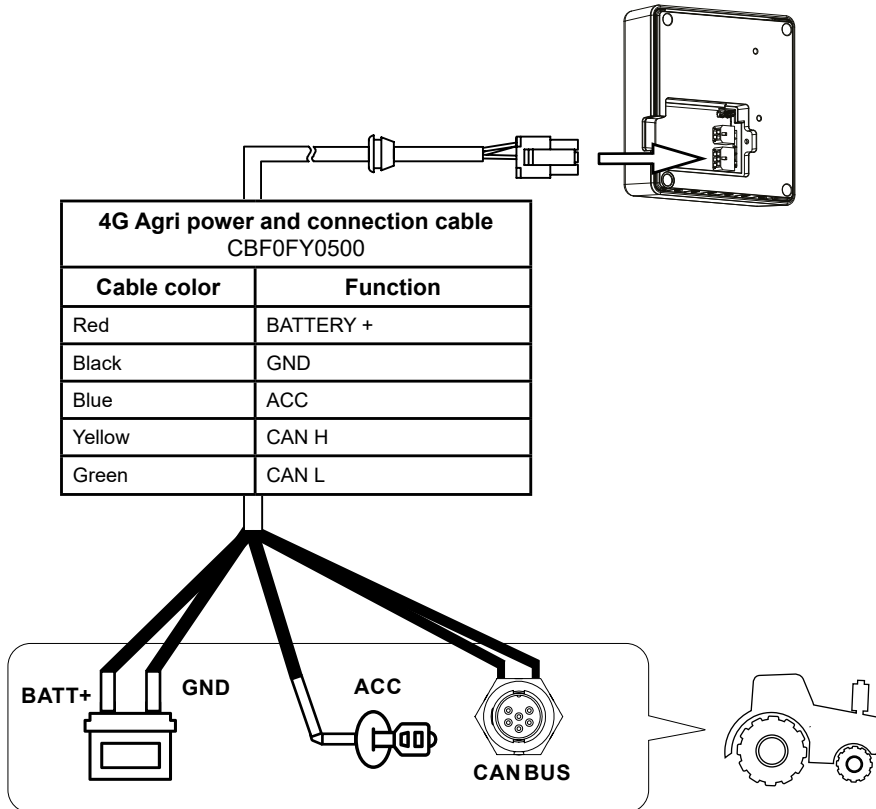


# 1. Technical specifications

- Dimensions: 105 mm x 102.3 mm
- Weight: 166 g
- Built-in GPS
- Triaxial accelerometer + gyro: ACC 500 Hz, min 0.125 g - max 16 g
- CANbus (J1939)
- 4G Modem
- Wi-Fi
- Waterproof: IP55
- Power supply: 9 - 24 Vdc
- Operating temperature: -20°C / + 65°C
- Storage temperature: -40°C / + 85°C
- Power consumption: 0.33A @12Vdc (4 W) typical; 0.7A @12Vdc (8.5 W) MAX
- Transmission frequency range: 791-2690 MHz

Technology	Maximum TX power
GSM 1800	29.02 dBm
E-UTRA BAND 3	23.02 dBm
UTRA BAND 1	23.01 dBm
WLAN	14.1 dBm
E-UTRA BAND 7	22.04 dBm
E-UTRA BAND 20	23.9 dBm
UTRA BAND 8	22.9 dBm
GSM 900	32.41 dBm

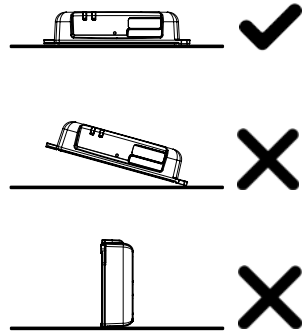
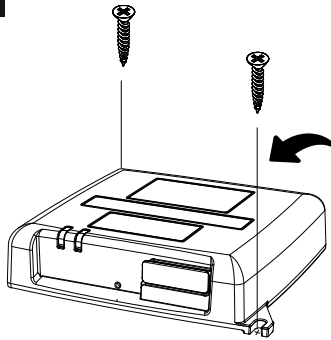
# 2. Connection scheme



### 3. Installation

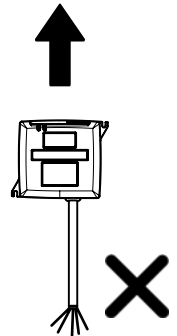
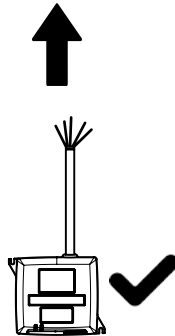
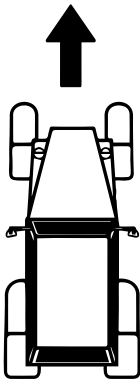
1

Install the 4G Agri horizontally fixing both screws



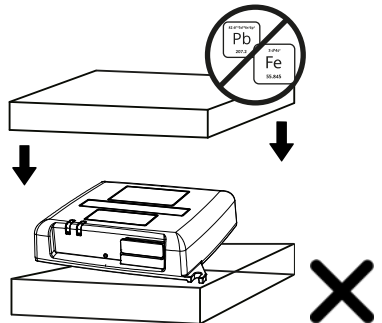
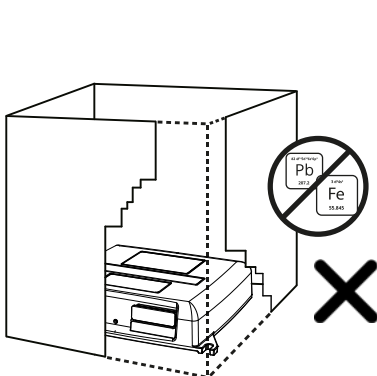
2

The cable of the 4G Agri must be in the forward direction



3

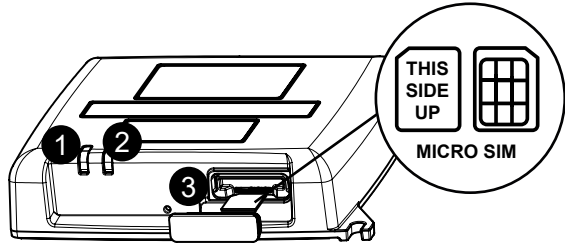
Do not cover the 4G Agri with metallic parts



## 4. Getting started with 4G Agri

### 4.1 Appearance

1. Cellular Network indicator
2. Wi-Fi indicator
3. SIM Slot



#### LED indicators

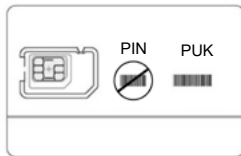
Led Indicator	Status	Description
Cellular Network	Red	No signal (or failed registration/connection to the network as in case of APN missing)
	Green	Successfully registered and connected to the network
	Green blinking	Transmitting data
	Blue	Successfully registered and connected to the network in roaming*
	Blue blinking	Transmitting data when roaming*
Wi-Fi	Red	Wi-Fi initialization phase or in case of Wi-Fi failure
	Green	Ready for client access and connection
	Green blinking	Wi-Fi client(s) connected


\*Roaming indication depends on the settings of the SIM, established with Mobile Network Operator

**NOTE:** after switching off your engine, the 4G Agri will remain active up to 30 seconds. This is a normal behavior.

### 4.2 Inserting the micro SIM card

4G Agri is compatible with micro SIM card form factor (3FF). Insert the micro SIM card in the front slot **3**. Connectivity is supported everywhere in Europe.



 Make sure to remove the PIN of the SIM before inserting it into the 4G Agri. You may use your smartphone to remove the PIN.

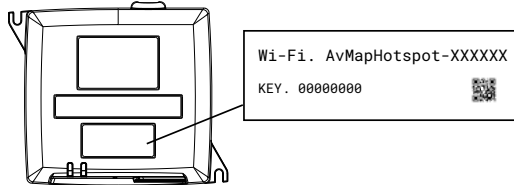
### 4.3 Registration

In order to get access to the Internet services, you need to register your device. Please access [myfarmnavigator.com](http://myfarmnavigator.com) website and complete the registration in few simple steps. Make sure you register your 4G Agri within a year from purchase.

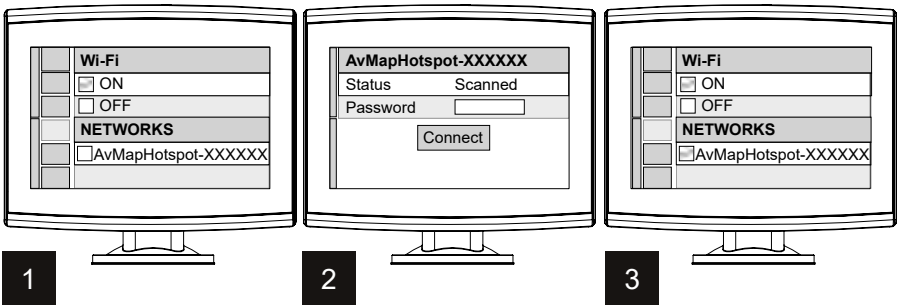
## 4.4 Connecting your device(s)

1. Open your device Wi-Fi settings;
2. Select **AvMapHotspot-XXXXXX** among the available networks;
3. Insert the password.

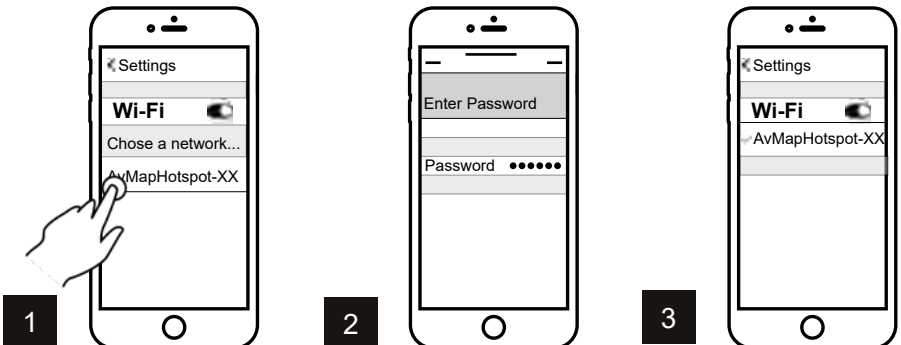
**NOTE:** the default SSID and the default password key are printed on the labels which are both on the top side of the device and on the front page of this manual.



### Connecting G7 Farmnavigator

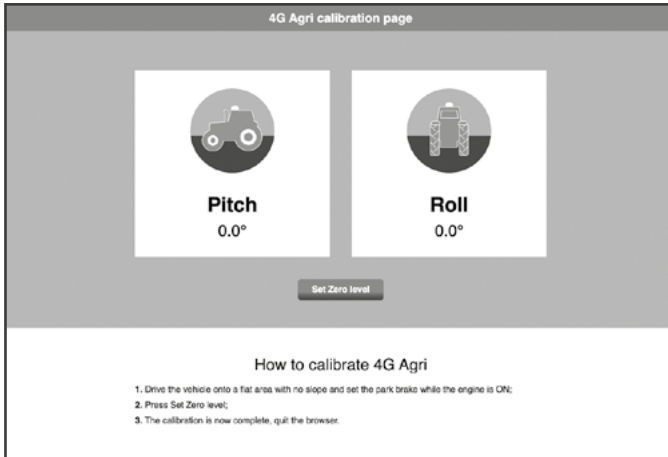


### Connecting a smartphone or any other mobile device



## **4.5 Calibration**

1. Drive the vehicle onto a flat area with no slope and set the park brake while the engine is ON;
2. Connect via Wi-Fi your PC or mobile device to the 4G Agri (read par 4.4);
3. Access to the page **hotspot.net/calib** or, alternatively, **192.168.0.1/calib**
4. Press **Set Zero level**;
5. The calibration is now complete, quit the browser.



## **5. Main Settings Configuration**

Settings can be changed online, using a Wi-Fi device (laptop or smartphone) connected to the Internet through the 4G Agri.

1. To access the main settings page enter in the address bar of your Browser: **hotspot.net** or, alternatively, **192.168.0.1**
2. The main settings page is protected by a Login password that must be modified at first access. Default password is: **admin**.  
It is possible to modify the Login password anytime using the **Modify Login Password** setting (read par 5.2).

The Main settings menu include Connected devices and Wi-Fi settings.

### **5.1 Connected devices**

You can check the list of devices connected to your 4G Agri by pressing the Connected Devices button in the main settings page. For each device, the name and the MAC address are shown.

### **5.2 Wi-Fi connection and settings**

You can change the basic settings of your 4G Agri Wi-Fi network through the Wi-Fi Settings menu as:

- **Network name (SSID):** Enter a string of maximum 32 characters. Upper case, lower case, numbers, standard and enhanced punctuation are allowed.
- **Security mode:** For OPEN mode, there is no need to set password. For WEP, WPA2 (AES)-PSK and WPA-PSK/WPA2-PSK mode, you need to set password for the security.
- **Password:** 8, 32 or 63 characters (upper case, lower case, and numbers) can be used for WPA2 (AES)-PSK and WPA-PSK/WPA2-PSK while 5 or 13 characters (upper case,

lower case and numbers) can be used for WEP.

- **Station Number:** Set the numbers of devices connecting to your 4G Agri.

**WI-FI Settings**  
Set up wireless hotspot so that your mobile phone or laptop could access network via It

Wi-Fi  Enable  Disable

SSID | Advanced Settings

Network Name(SSID) \*

Broadcast SSID

Security Mode

Password \*

Display Password

Confirm Password \*

Display Password

Max Station Number

Apply

### **5.3 Advanced Settings**

You can set here the APN (Access Point Name) associated to your SIM. If there is no connectivity, and the Cellular Network led is red, then you may have problems with connecting automatically to your provider's APN, thus you need to set it manually (please contact your provider or browse the Internet to know their APN).

1. In the Advanced Settings page, APN tab, select **Manual mode**;
2. Select **Add New**;
3. Now you can edit **Profile Name** (your provider's name e.g. Orange or Vodafone etc) and **APN**;
4. Press **Apply** to confirm.

**APN**

APN | Others

Current APN

Mode  Auto  Manual

Profile

PDP Type

Profile Name \*

APN \*

Authentication

User Name

Password

Apply

**ATTENTION:** For more detailed instructions please download the '4G Agri advanced setting guide' from the Farmnavigator online support section at:  
<https://farm.avmap.it/en/IntelligentAgriculture/support>

## **6. Product conformity information**

---

### **6.1 Simplified EU declaration of conformity**

Hereby, AvMap Srlu, Viale Zaccagna 6, 54033 Carrara (MS), Italy declares that the equipment in the following table is in compliance with Directive 2014/53/EU

4G Agri	UX04GA00AM
---------	------------

The full text of the EU declaration of conformity is available at the following Internet address:  
[eudeclaration.avmap.it](http://eudeclaration.avmap.it)

### **6.2 Simplified UK declaration of conformity**

Hereby, AvMap Srlu, Viale Zaccagna 6, 54033 Carrara (MS), Italy declares that the radio equipment in the following table is in compliance with the relevant statutory requirements:

4G Agri	UX04GA00AM
---------	------------

The full text of the UK declaration of conformity is available at the following internet address:  
[eudeclaration.avmap.it](http://eudeclaration.avmap.it)

## **7. Safety Information**

---

AvMap disclaims any liability deriving from an improper use or installation of the product in a way that may violate the regulations and safety. It is highly recommended that the installation of the product will be performed by a qualified maintenance technician. Consult the Installation manual for a correct installation procedure.



AvMap Srl  
Viale Zaccagna, 6  
54033 Carrara (MS), Italy  
[www.avmap.it](http://www.avmap.it)  
[support@avmap.it](mailto:support@avmap.it)

[www.farmnavigator.com](http://www.farmnavigator.com)