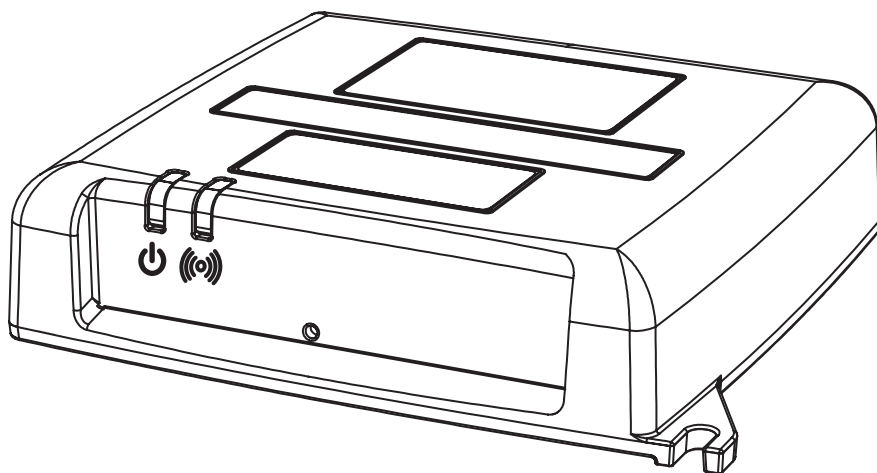




MMA10AMAE011

FARMNAVIGATOR



A-I/O

INSTALLATION MANUAL

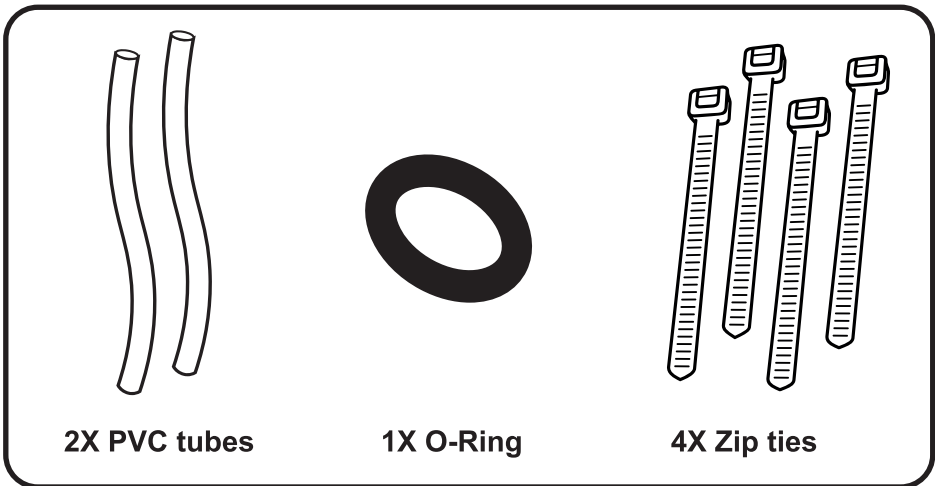
1. Technical specifications

- Dimensions: 105 mm x 102.3 mm
- Weight: 145 g
- Waterproof: IPX4
- Power voltage: 3.7 - > 5V
- Operating temperature: -20°C / + 65°C
- Storage temperature: -40°C / + 85°C
- Typical consumption: 10 mA
- Communication interface: RS232-like (inverted UART 0 - > 3V3 levels)

2. Content of the box

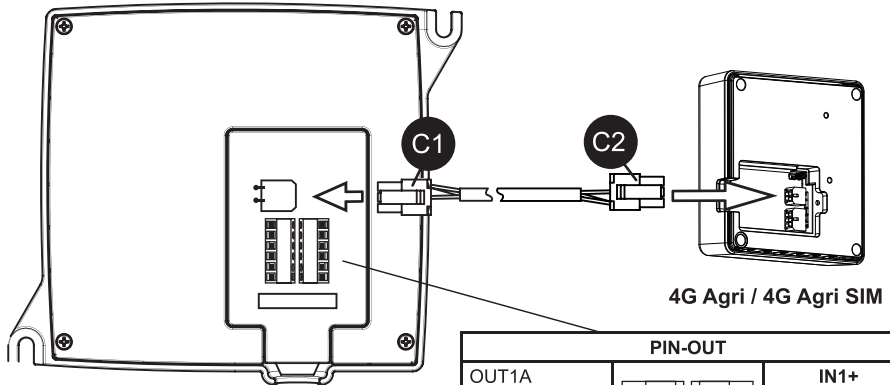
- A-I/O
- Connection cable
- Installation kit
- Quick guide
- Warranty and warning

Installation kit:



3. Connection scheme

NOTE: The connection cable, provided along with the A-I/O, fits both 4G Agri / 4G Agri SIM and A-I/O. Feel free to connect C1 and C2 to one or the other device.



3.2 PIN-OUT description

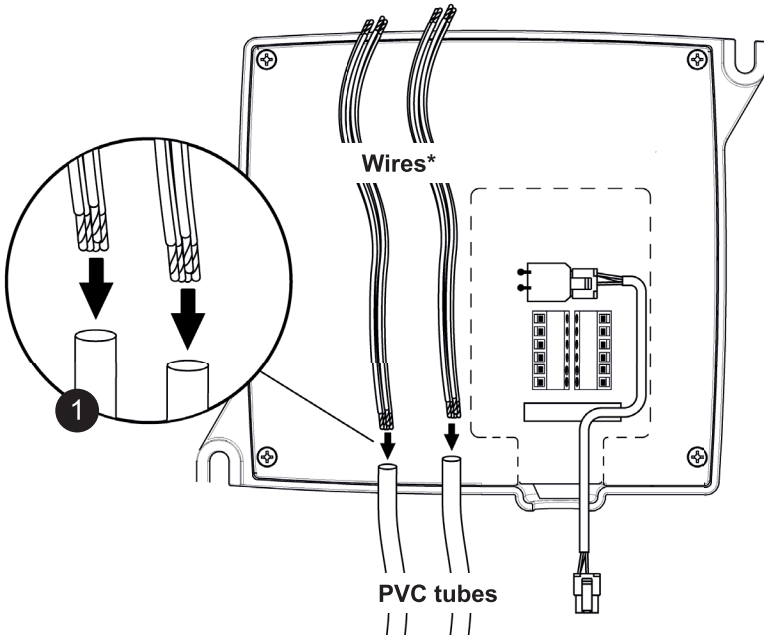
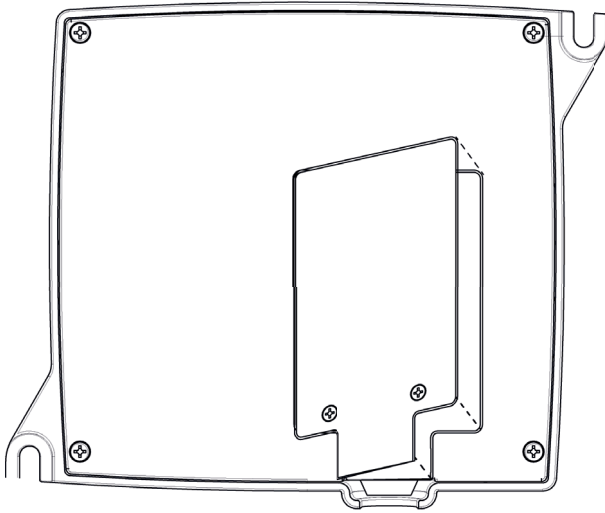
Signals	Description
I_IN1	Analog input for current measurement. Range 0->20mA
I_IN2	Analog input for current measurement. Range 0->20mA
VA_IN	Analog input for voltage measurement. Range 0->10V
AGND	Analog inputs reference (internally connected to power source reference)
IN1+	Positive digital input 1, opto-isolated. ON threshold 5V, operative condition 0-24V, maximum input voltage 36V (IN1- referred)
IN1-	Negative digital input 1
IN2+	Positive digital input 2, opto-isolated. ON threshold 5V, operative condition 0-24V, maximum input voltage 36V (IN2- referred)
IN2-	Negative digital input 2
OUT1A/OUT1B	Normally open relay output 1. Relay is closed in ON state. Outputs are opto-isolated and protected by a resettable Fuse Operative condition +/- 24V, +/- 100mA Max voltage 30V, max current 400 mA, min voltage -30V, min current -400 mA
OUT2A/OUT2B	Normally open relay output 2. Relay is closed in ON state. Outputs are opto-isolated and protected by a resettable Fuse Operative condition +/- 24V, +/- 100mA Max voltage 30V, max current 400 mA, min voltage -30V, min current -400 mA

WARNING: Analog inputs and references are not opto-isolated.

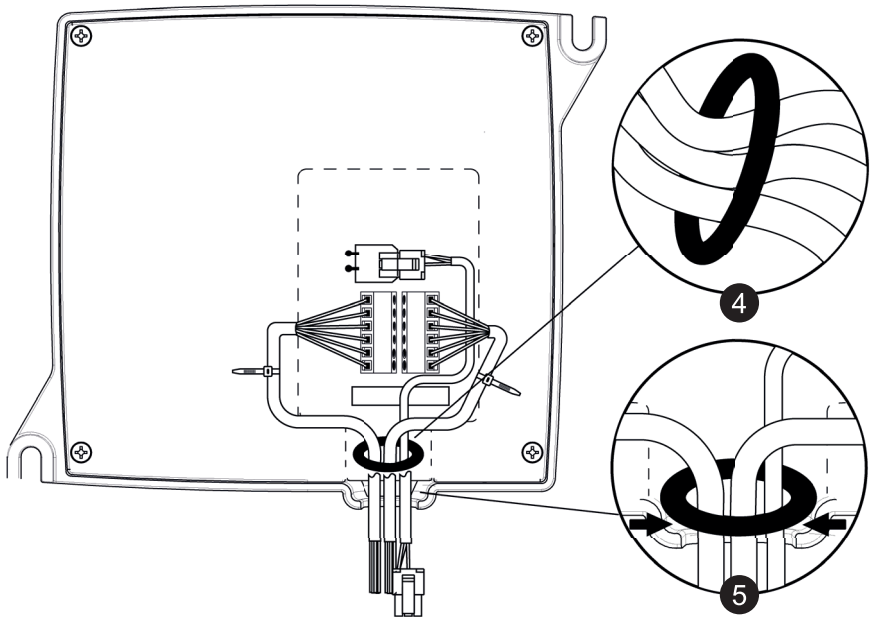
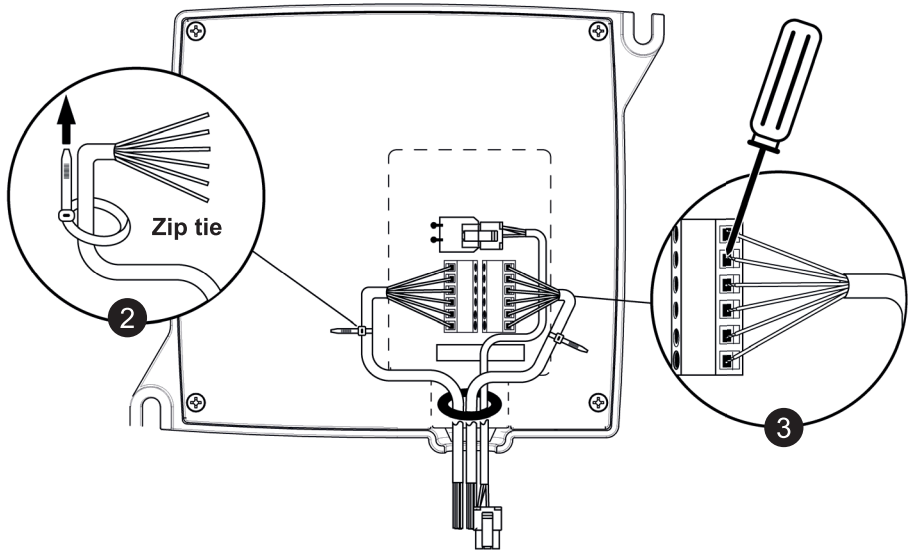
NOTE: Analog Input 1 and 2 are typically used for 4-20mA signals.

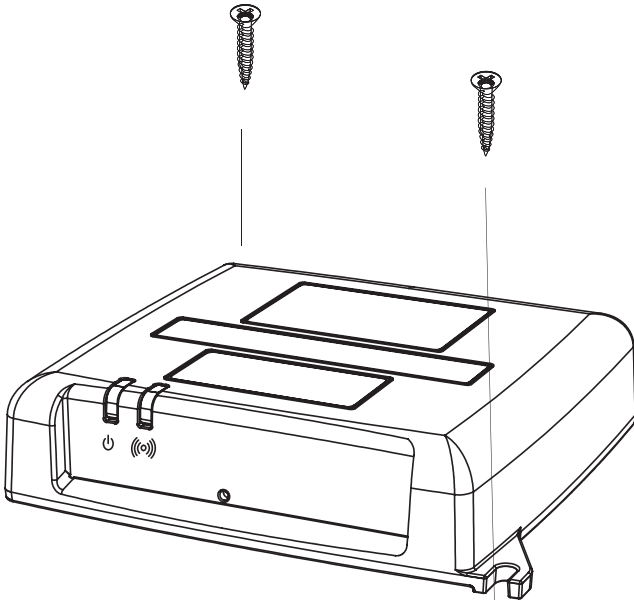
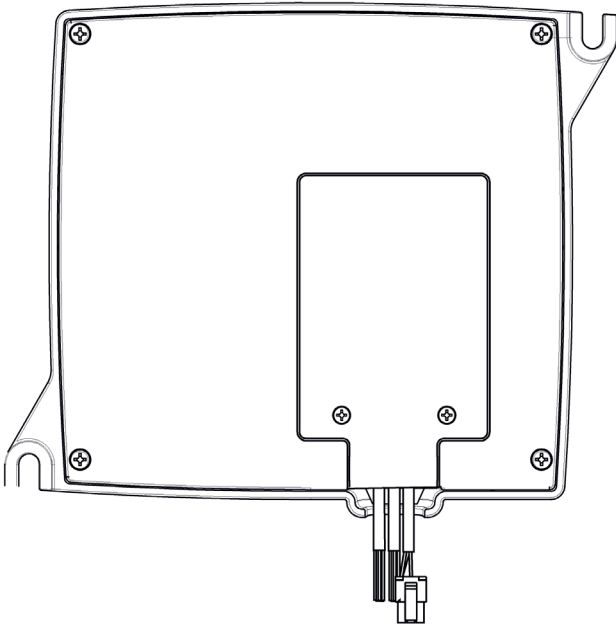
NOTE: For Digital output 1 and 2, +/- 30V and +/- 400mA are Absolute Maximum ratings.

4. Installation



*The wires are not provided along with the A-I/O

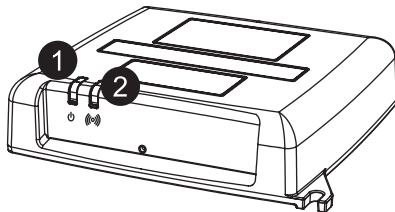




5. Getting started with A-I/O

5.1 Appearance

1. Power
2. Communication



LED indicators

Led Indicator	Status	Description
Power	Green	Power On
	Off	Power Off
Communication	Green	No data TX/RX
	Green blinking	Data TX/RX
	Off	Device not responding

6. Product conformity information

6.1 Simplified EU declaration of conformity

This device complies with Directive 2014/30/EU and Directive 2014/35/EU.

The full text of the EU declaration of conformity is available at the following Internet address:
eudeclaration.avmap.it

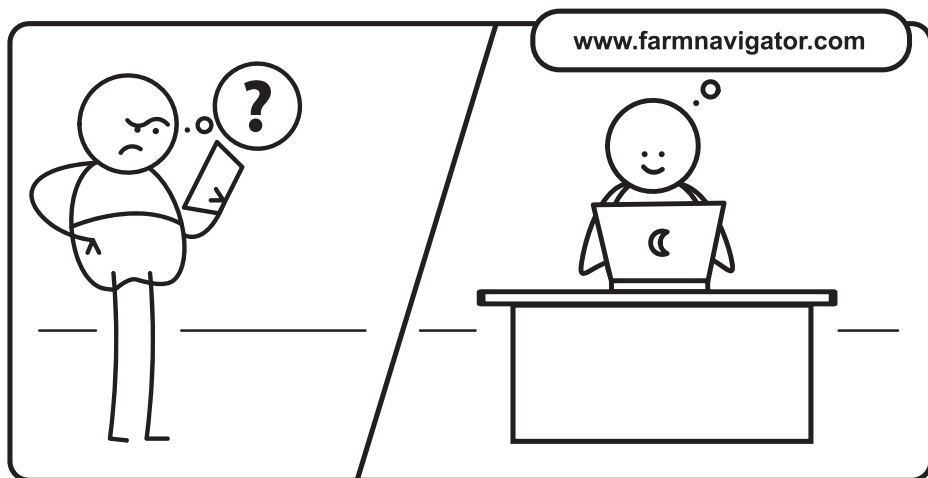
6.2 Simplified UK declaration of conformity

This device complies with Electromagnetic Compatibility Regulations 2016 (SI 2016/1091) and Electrical Equipment (Safety) Regulations 2016 (SI 2016/1101).

The full text of the UK declaration of conformity is available at the following internet address:
eudeclaration.avmap.it

7. Safety Information

AvMap disclaims any liability deriving from an improper use or installation of the product in a way that may violate the regulations and safety. It is highly recommended that the installation of the product will be performed by a qualified maintenance technician. Consult the Installation manual for a correct installation procedure.



FARMNAVIGATOR

AvMap Srl
Viale Zaccagna, 6
54033 Carrara (MS), Italy
www.avmap.it
support@avmap.it

www.farmnavigator.com