

4. ISOBUS features activation

4.1 How to activate your VT free trial

1. Place G7 Farmnavigator on the ISO kit bracket;
2. Connect the GNSS receiver to the ISO kit bracket;
3. On the G7 Farmnavigator select: Setup > ISOBUS and activate the trial period.

After the 7 days free trial, it is possible to purchase and activate the VT lifetime license.

4.2 How to activate the VT lifetime license

1. On the G7 Farmnavigator select: Setup > ISOBUS
2. Follow the instructions on the G7 display or download the instructions from farm.avmap.it/en/IntelligentAgriculture/support

5. Simplified EU declaration of conformity

This device complies with Directive 2014/30/EU and Directive 2014/35/EU.

The full text of the EU declaration of conformity is available at the following internet address:
eudeclaration.avmap.it

6. Safety Information

AvMap disclaims any liability deriving from an improper use or installation of the product in a way that may violate the regulations and safety. It is highly recommended that the installation of the product will be performed by a qualified maintenance technician. Consult the Installation manual for a correct installation procedure.


FARMNAVIGATOR

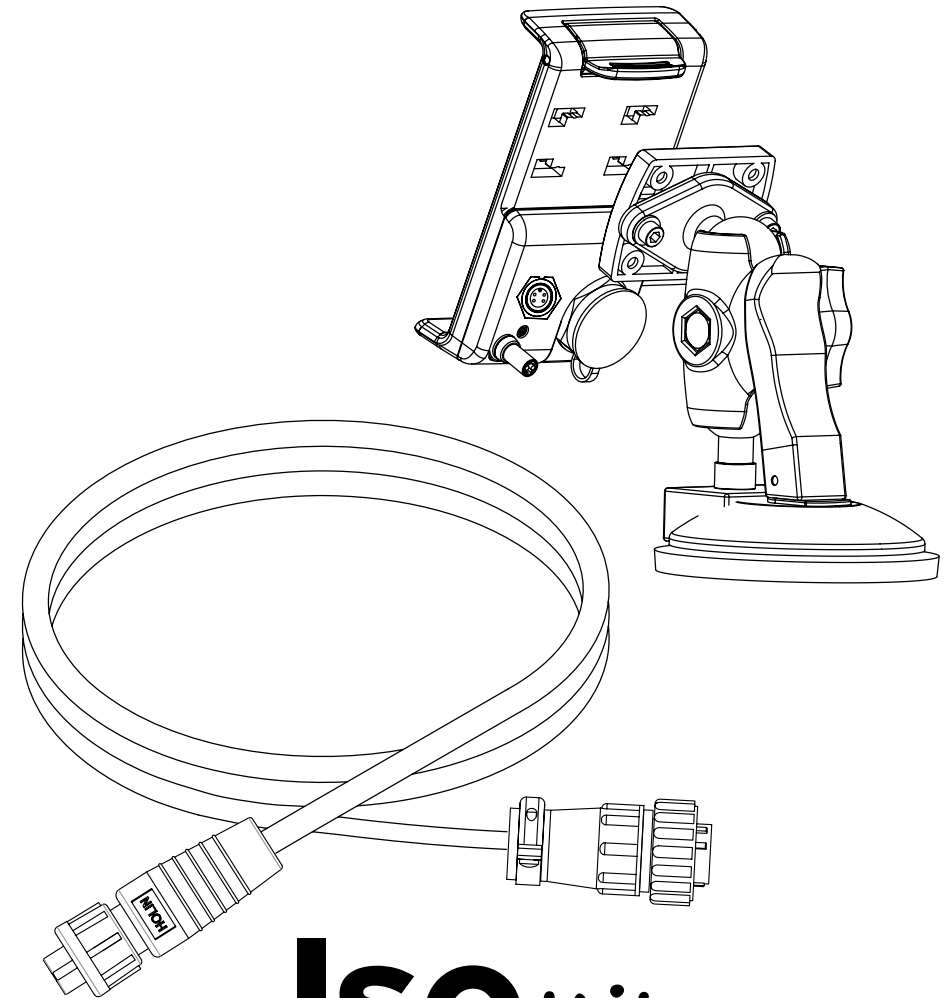
AvMap Srl
Viale Zaccagna, 6
54033 Carrara (MS), Italy
www.avmap.it
support@avmap.it

www.farmnavigator.com



MMGZANAE011


FARMNAVIGATOR



ISO Kit
QUICK GUIDE

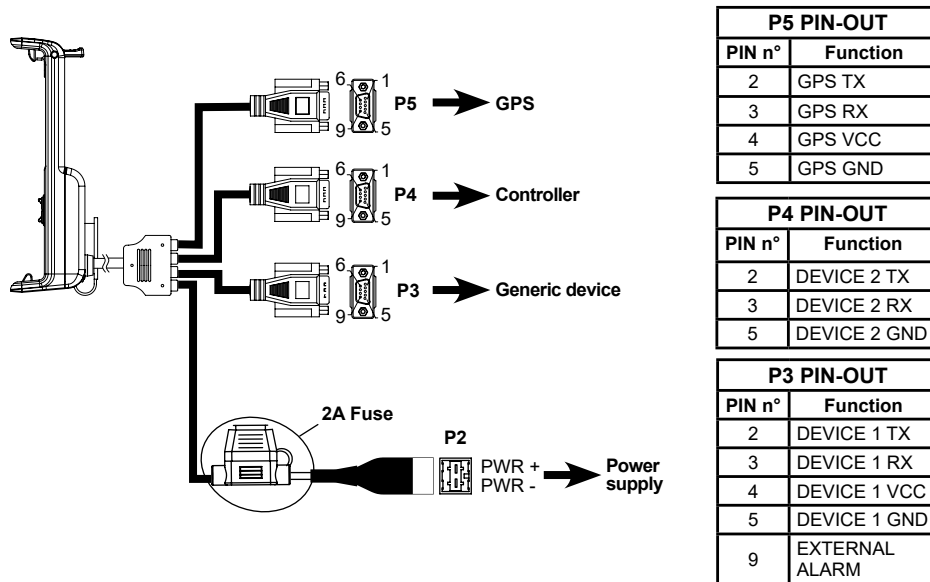
1. Product description

The Iso Kit adds ISOBUS features to your G7 Farmnavigator system

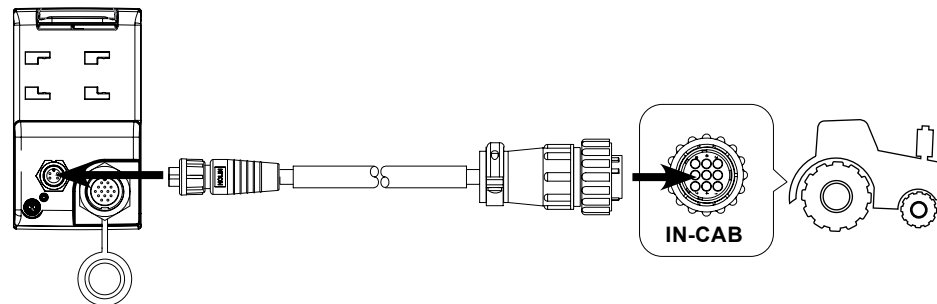
1.1 Content of the package

- Powered bracket with:
 - 3 x serial ports (2 x DB9 powered 12 V DC, 1 x DB9)
 - 1 x power supply connector
 - 1 x 14 pin connector (USB, Video IN, Ethernet compatible)
 - 1 x 4 pin connector (CAN - ISOBUS compatible)
- In-cab connection cable

2. Connections scheme



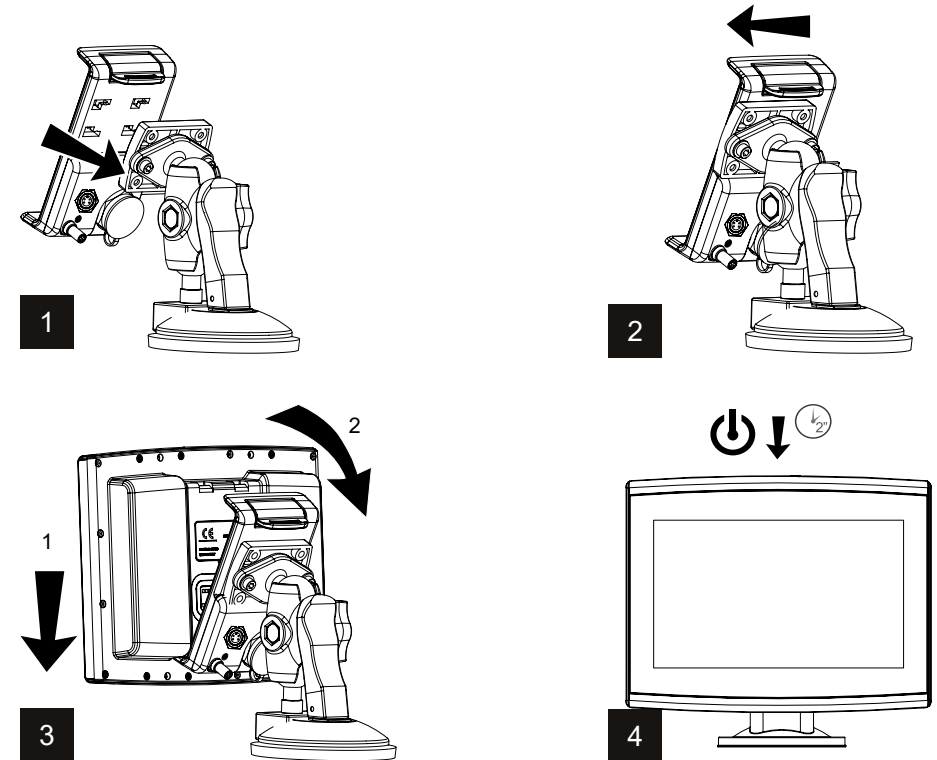
2.1 In-cab cable connection



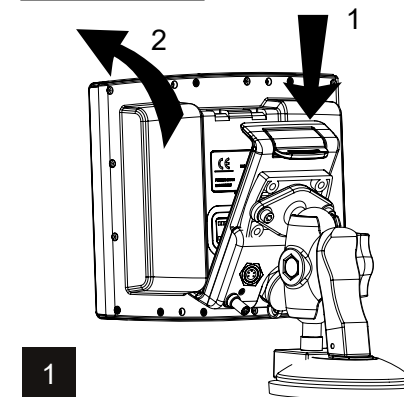
ATTENTION: The In-cab cable is not waterproof. Do not use outside the tractor cab.

3. Bracket assembly

3.1 To install



3.2 To uninstall



Images are for illustrative purpose only and can differ from the real product.