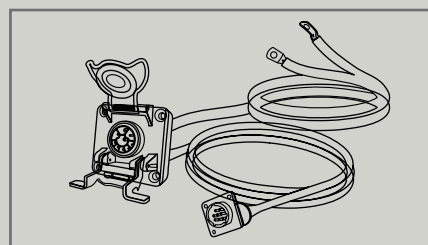
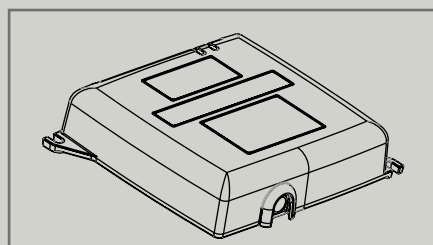
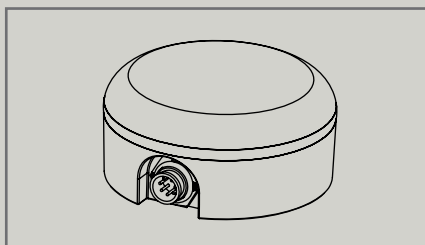
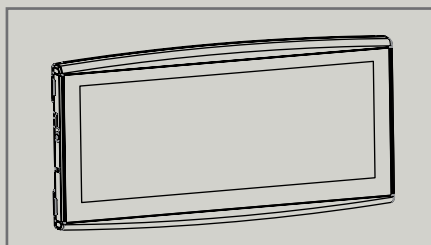


BASIC KIT INSTALLATION MANUAL - HX SERIES

Available for:
HX Series – Small-Ag tractors, 91–140 hp

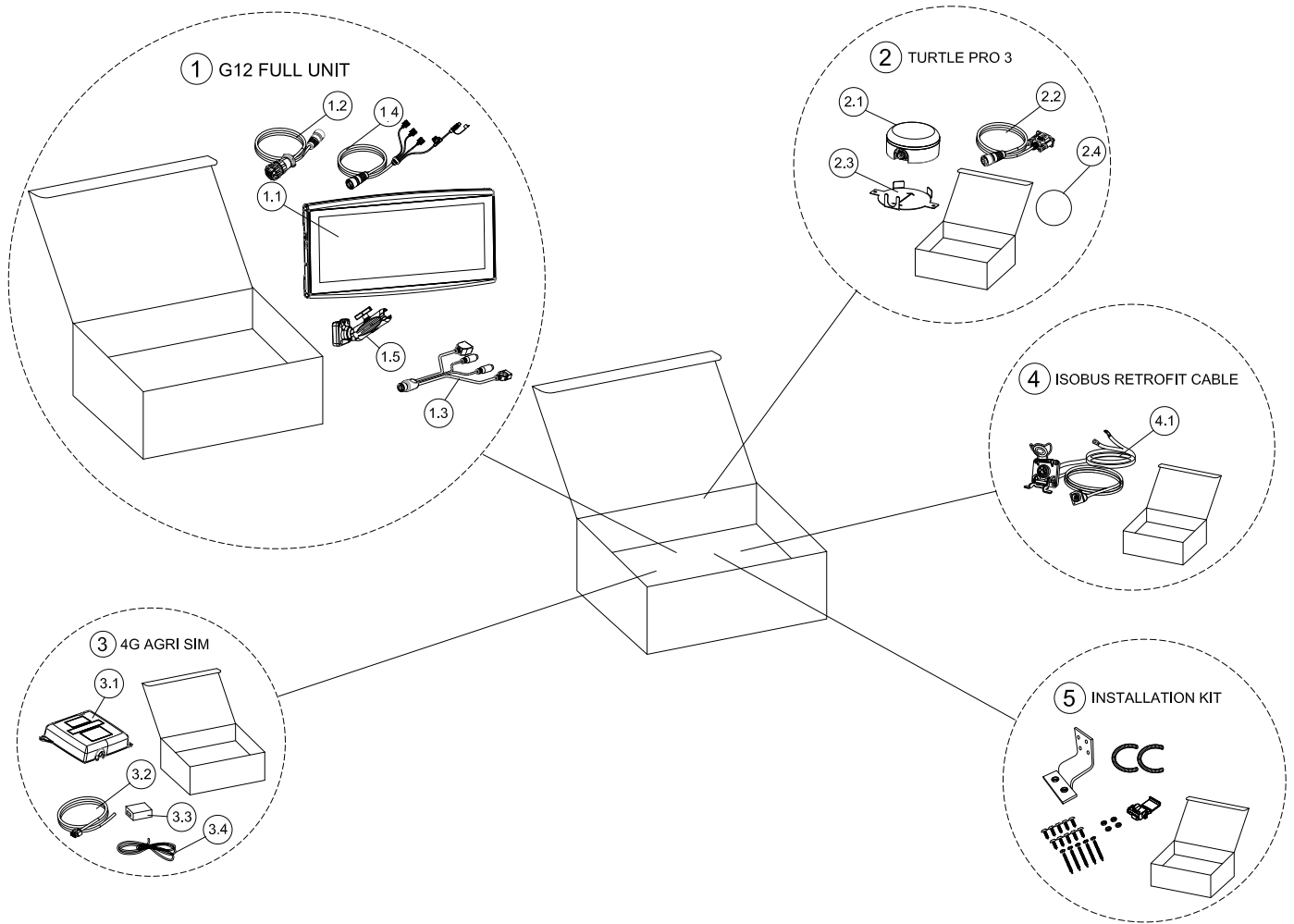


MMBHXXKIDM010



1. Packing list

No.	Description
1	Farmnavigator G12
1.1	G12
1.2	ISOBUS In-cab cable
1.3	USB, Ethernet, Video (x2) cable
1.4	Power & I/O cable
1.5	RAM arm
2	Turtle Pro 3
2.1	Receiver
2.2	Receiver cable
2.3	Receiver bracket
2.4	3M double-sided tape
3	4G Agri SIM
3.1	Modem
3.2	Power cable
3.3	CAN inductive reader
3.4	CAN inductive reader cable
4	Isobus Retrofit Cable
4.1	Isobus Retrofit Cable set
5	Installation Kit



2. General Safety Information

2.1 Before servicing and repairing

- Read all safety instructions in this manual and be aware of safety decal locations on your machine.
- Thoroughly clean your work area and the machine before starting any operation.
- Make sure the machine is on firm and level ground and the parking brake is applied.
- Lower all implements to the ground.
- Stop the engine and remove the ignition key.
- Disconnect the negative battery cable before performing any electrical work.
- Place a “DO NOT OPERATE” tag in the operator station to warn others

2.2 Working safety

- Do not operate or service the machine while under the influence of alcohol, medications, or other substances that may impair judgment or reaction time.
- Never wear loose-fitting clothing near moving parts. Always use personal protective equipment (PPE) appropriate to the task.
- Never use improvised tools or non-approved parts. Use only tools recommended for the specific operation.
- Exercise extra caution when working alongside other people. Communicate clearly before performing any action on the machine.
- Always support the machine with safety stands rated for the weight of the vehicle.
- Do not touch any rotating or hot parts while the engine is running.
- Escaping hydraulic fluid under pressure can penetrate the skin and cause serious injury. Always relieve system pressure before disconnecting hydraulic or fuel lines. Retighten all connections before reapplying pressure.
- Keep work areas free from obstacles, spilled fluids, and debris to prevent slipping or tripping hazards.

2.3 Electrical safety

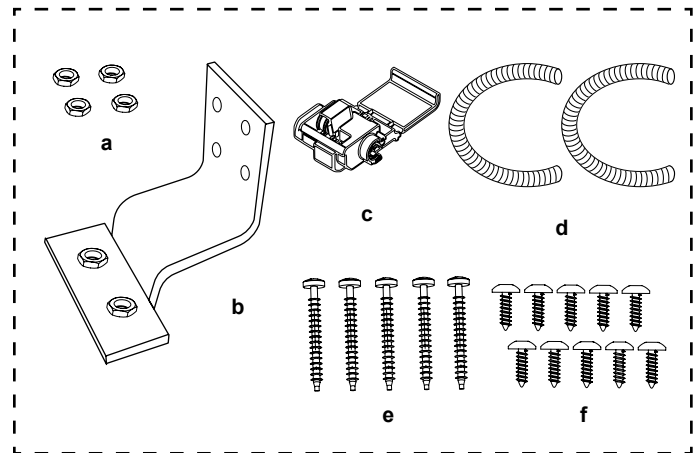
- Always disconnect the negative battery cable before performing work on electrical components.
- Connect battery leads only as specified in this manual. Incorrect polarity can cause irreversible damage to electronic modules and risk of fire.
- Route all replacement cables away from moving parts, hot surfaces, hoses, and alternators.
- Do not short-circuit battery terminals. Use insulated tools when working near live electrical connections.

2.4 Disposal of fluids and materials

- Observe all applicable environmental protection regulations when disposing of oil, hydraulic fluid, fuel, coolant, and batteries.
- Never pour fluids onto the ground or into drains, rivers, or any body of water.
- Collect used fluids in appropriate sealed containers and deliver them to authorised collection or recycling centres.

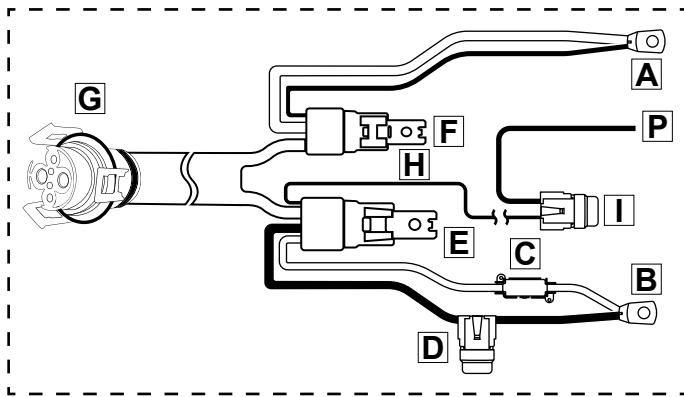
3. Installation instructions

The Basic Kit includes an installation kit with all components required for a successful installation. Each component is identified by a letter in the image below.

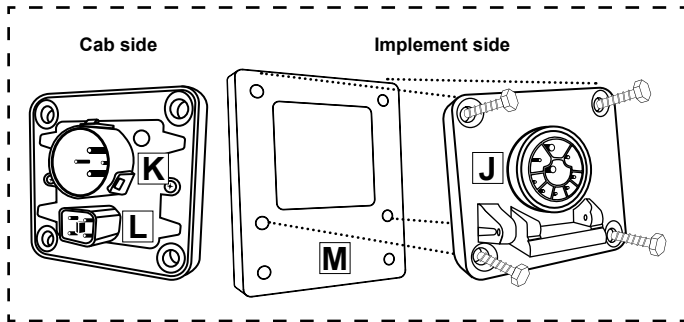


3.1 Installation of ISOBUS retrofit cable

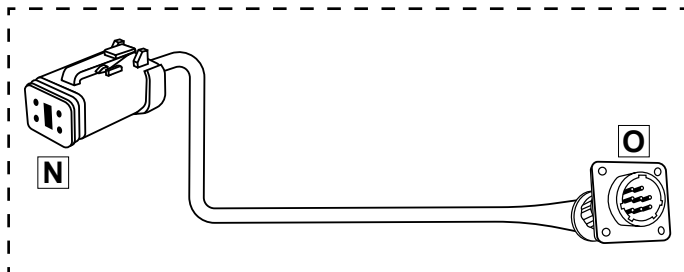
The ISOBUS retrofit cable (4.1) consists of 3 parts: main cable, IBBC connector, cab socket cable. The following is a list of the three components, where each single connection point is identified by a capital letter between squared brackets.



4.1.1 Main cable

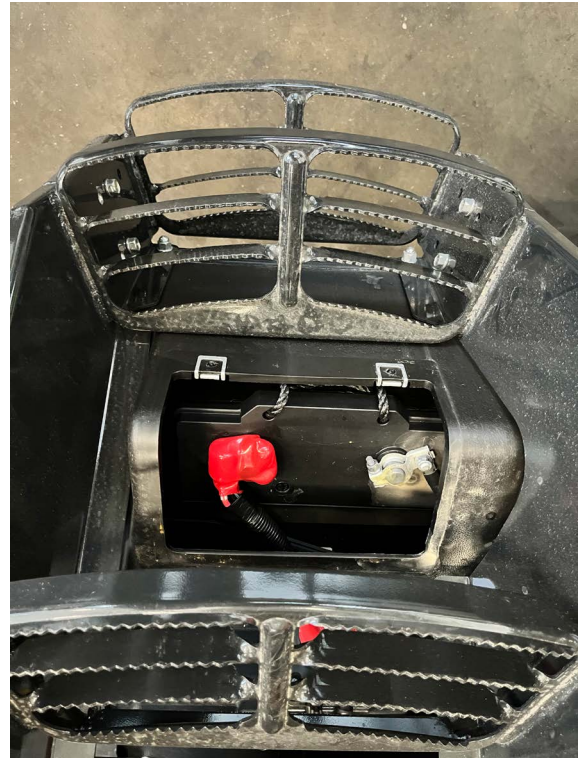


4.1.2 IBBC connector



4.1.3 Cab socket cable

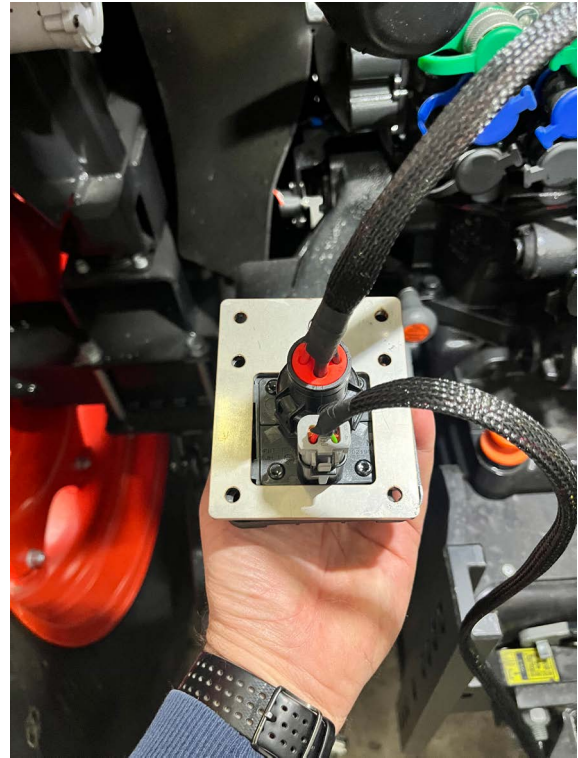
1. Open the battery compartment located under the step on the right side of the tractor, and remove the protective plastic cover. The two battery terminals will be visible.



2. The back of the battery box has a hole for the cables to pass through. Route the main cable (4.1.1) inside the battery compartment and pass through the hole. Keep the fuse and relay inside the battery compartment.



3. Route the main cable up to the back part of the tractor. When routing the wire harness, secure it only to rigid parts. Do not attach it to high-pressure hydraulic hoses or to any moving parts or linkages.
4. Position the main cable connector [G] on the rear left side of the tractor, near the license plate mounting bracket.
6. Route the cab socket cable (4.1.3) so that the connector [N] exits the tractor through the indicated opening until it reaches the area near the mounting bracket for the rear license plate. Keep the connector [O] inside the compartment.
7. Connect connectors [N] and [G] to the IBBC connector (4.1.2) [J].



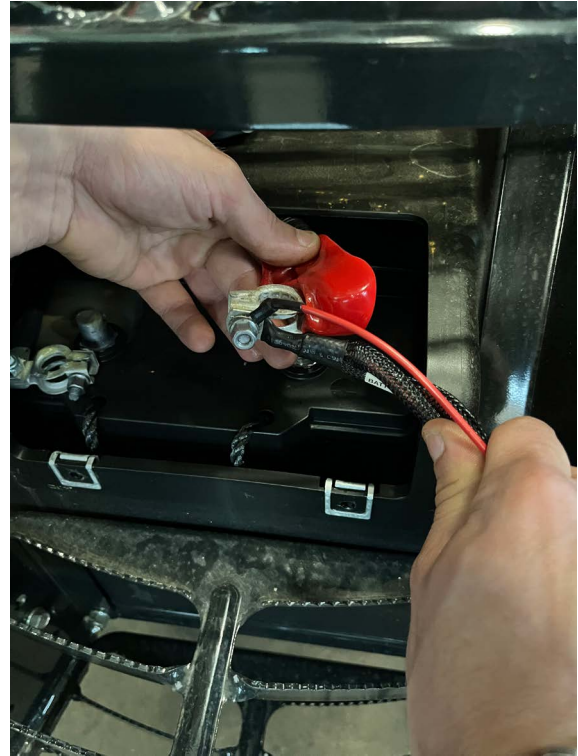
5. From inside the cab, on the lower right side, remove the square plastic cover. Inside the compartment, there is a passageway to the bottom of the tractor. The passage is lined with foam, pull it upward and use this passageway to route the cables from the outside into the inside of the tractor.
8. Attach the bracket [M] to the license plate mount using the screws (e) provided in the installation kit..



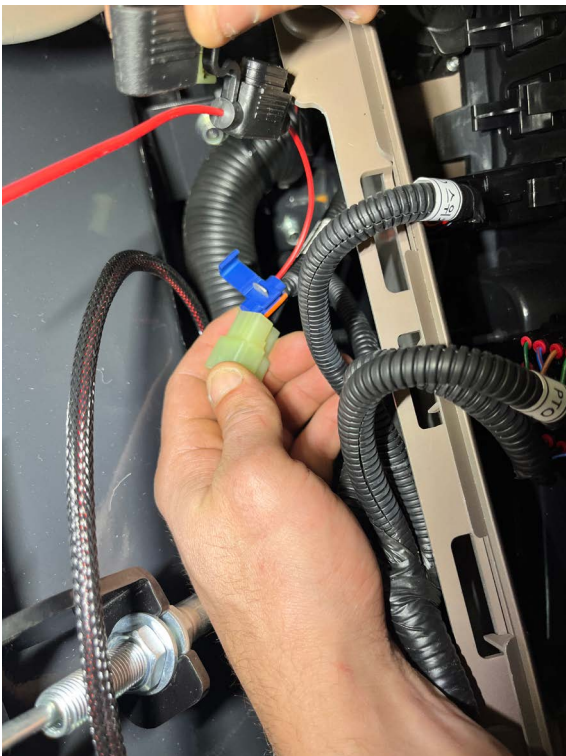
9. Inside the tractor cab, lift the control panel on the right side of the seat (by removing the mounting screws and lever knobs).



12. Connect the terminals of the main cable (4.1.1) to the battery.

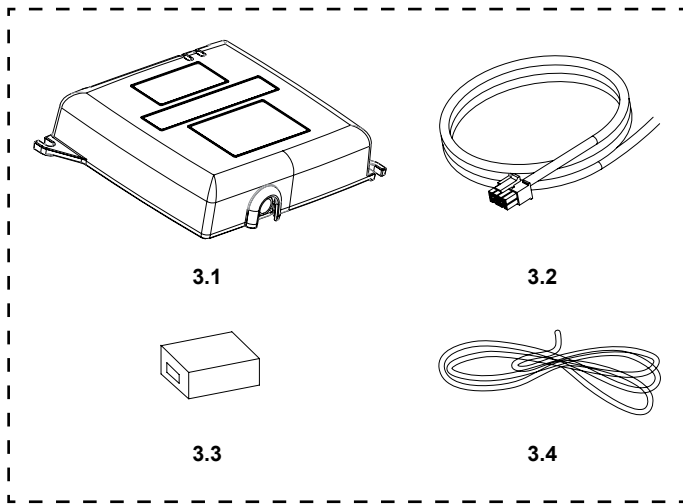


10. On the right side of the compartment, beneath the control panel just lifted, locate a three-wire connector (black, red, orange). The red wire is the ignition wire. Connect the fuse holder [H] to the ignition wire.



11. Run the cable [I] under the panel to the location of the fuse you just installed.

3.2 Installation of 4G AGRI SIM



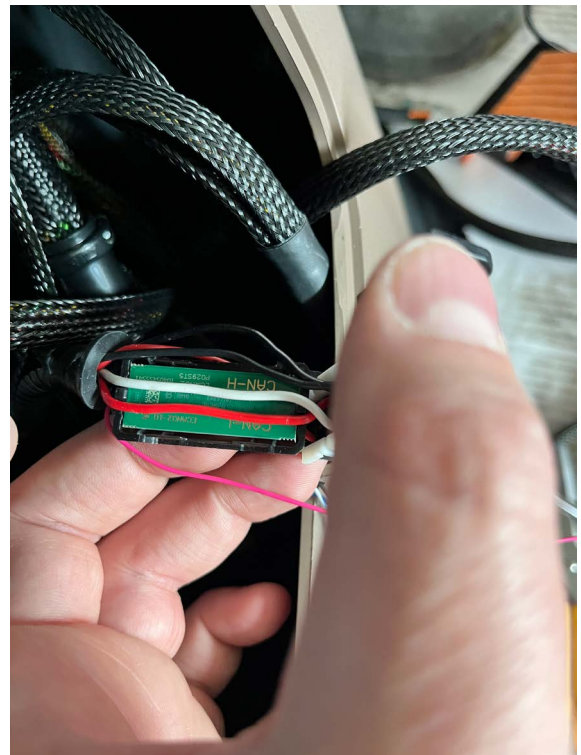
1. On the back of the modem (3.1), remove the two mounting screws and connect the power cable (3.2).



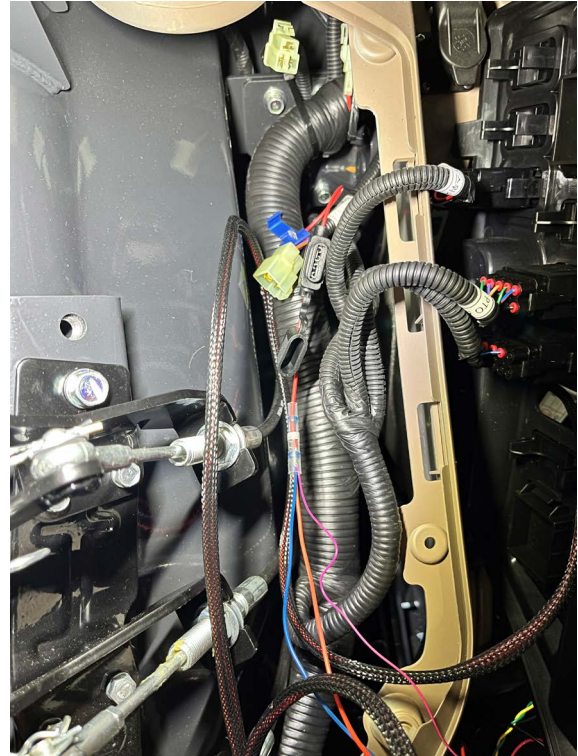
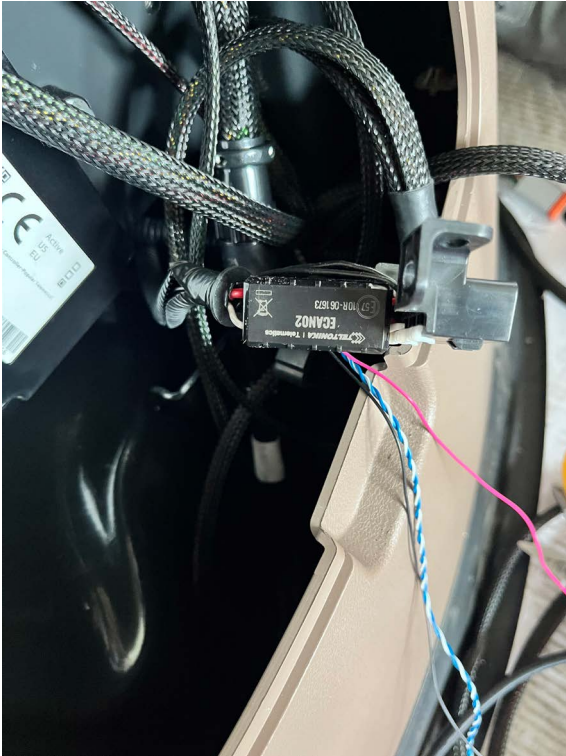
2. Locate the OBD connector in the lower right compartment. Remove the two mounting screws and locate the white and red wires corresponding to pins CANH (pin 14) and CANL (pin 6).



3. Open the CAN inductive reader (3.3) and lay out the white and red wires inside.



4. Close the cap of the CAN inductive reader (3.3), taking care not to pinch the wires. Then insert the wiring harnesses (3.4) into the connector (3.3). Finally, refit the OBD connector in its original position and secure it with the two screws.
6. Run the cable under the panel to the location of the fuse installed before. Connect the sub-key wires to the fuse. Then:
 - the positive wire to the orange wire;
 - the negative wire to the black wire.



5. Connect the wires according to the following diagram:

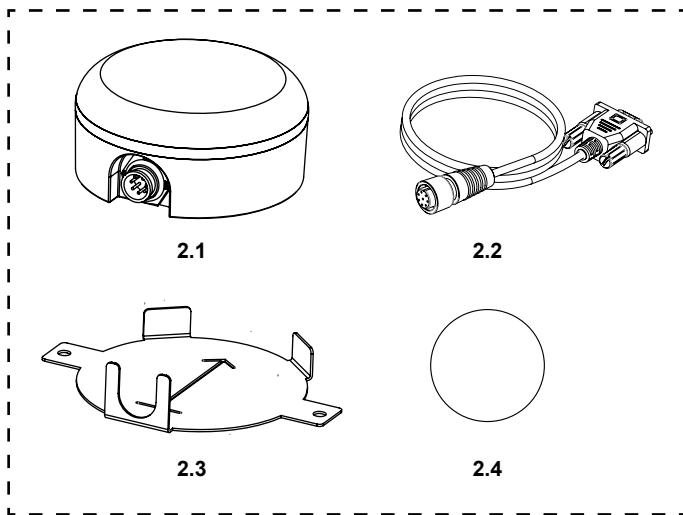
Signal	Power Cable (3.2)	CAN inductive reader Cable (3.4)
CANH	Yellow	White blue
CANL	Green	Blue
GND	Black	Black
Battery (+)	Red	Connect to battery positive
Ignition	Blue	Red

Note: Use scotchlocks (c) provided in the Installation kit to connect GND, Battery (+) and Ignition signal to the selected power lines.

7. Place firmly the modem (3.1) inside the compartment.



3.3 Installation of the GNSS receiver



1. Attach the 3M double-sided tape (2.4) to the receiver bracket (2.3). Then connect the receiver cable (2.2) to the receiver (2.1).
2. Measure and mark the center of the tractor (right and left). Clean the area with a cloth and degreaser. Remove the protective film from the 3M double-sided tape and attach the receiver, ensuring the cable points toward the rear of the vehicle. Make sure the receiver is securely attached, correctly oriented, and positioned away from other electronic devices.



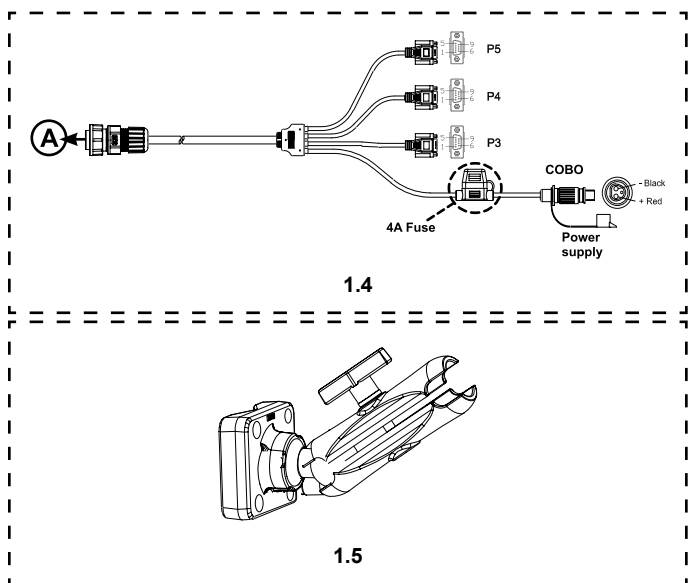
3. Remove the three caps and three bolts (see red circles in image below) securing the outer cover of the right rear strut. Route the receiver cable near the right rear taillight. Then route the receiver cable inside the compartment, secure it with a cable tie, and close the cover.



4. Inside the cabin, remove the two mounting screws that secure the seal over the cable passage behind the seat. Route the receiver connector (9-pin rectangular) through the opening until it reaches the area below the right-hand control panel. Then restore the passage by replacing the gasket and the plastic cap.



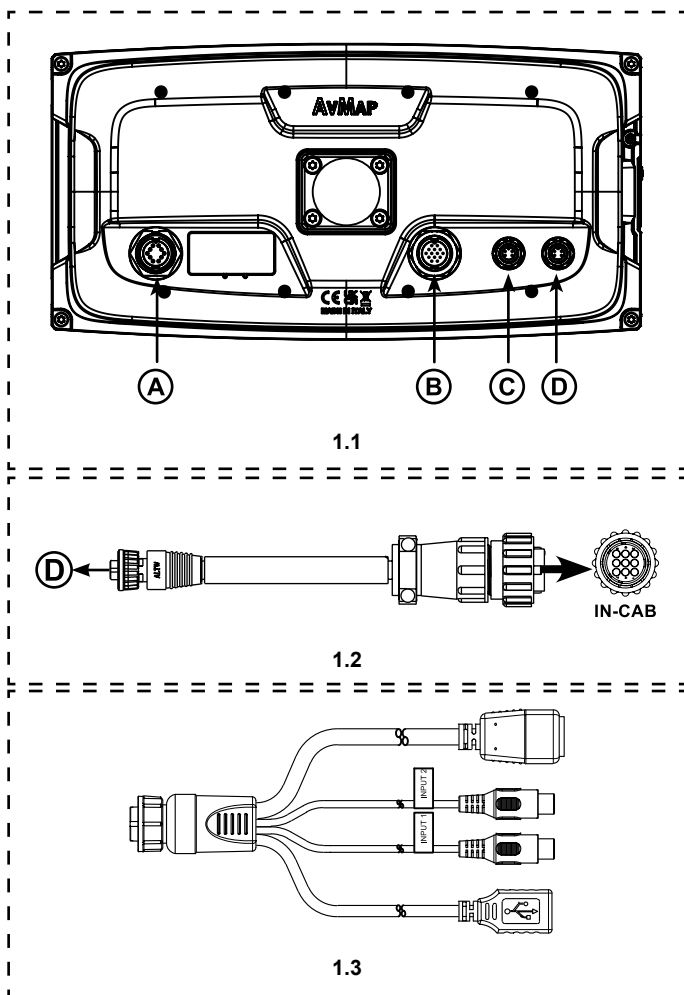
5. The receiver cable and the ISOBUS In-CAB cable are easily accessible inside the cab.



1. Use the two bolts on the right side of the dashboard to secure the mounting bracket - (b) in the installation kit - for the G12.



3.4 Installation of the G12



2. Attach the RAM ball on the G12 to the RAM arm (1.5), then to the mounting bracket, finally secure the arm and the G12 using the screws provided - (f) in the installation kit. Connect power & I/O cable (1.4) and ISOBUS In-cab cable (1.2) USB, Ethernet, Video (x2) cable (1.3) is optional and is used for USB and cameras.

3. Connect the P4 connector labeled "GPS" on power & I/O cable (1.4) to the 9-pin rectangular connector on the receiver cable.



5. Connect the G12's power line (3-pin connector - see 1.4) to the mating socket in the cab.
6. Once all components have been properly secured, close all opened panels and covers, restoring them to their original condition. Ensure that all wiring is routed internally and does not interfere with moving parts, linkages, or components that may overheat during vehicle operation. Then reconnect the battery terminals.

4. Then connect the ISOBUS In-CAB cable connector (1.2) to the 9-pin circular connector [O] on the cab socket cable (4.1.3)

Note: For installations that include automatic steering, the ISOBUS In-cab cable (1.2) must be connected to the Pilota's device cable and specifically to the connector labeled "TO DISPLAY".





FARMNAVIGATOR

A BRAND BY AVMAP

AvMap Srl
Viale Zaccagna 6,
54033 Carrara (MS), Italy

kioti.support@farmnavigator.it