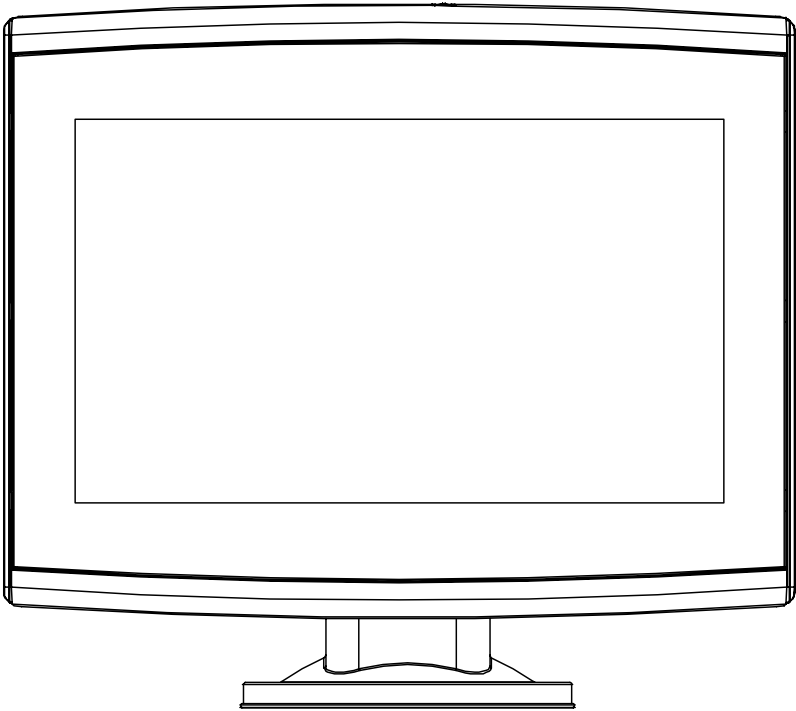


MM67UAMAE070

FARMNAVIGATOR



INSTALLATION MANUAL

1. Product description

The FARMNAVIGATOR G7 series includes three models: G7 Ezy, G7 Plus and G7 Iso, featuring a 7 "display, parallel guidance software, manual and automatic boom sections control, WiFi connectivity*, Auto-Steering kit compatibility*, and ISOBUS compatibility**.

1.1 Content of the package

- Dust protective cover
- Powered bracket with:
 - 3 x serial ports (2 x DB9 powered 12 V DC, 1 x DB9)
 - 1 x power supply connector
 - 1 x 14 pin connector (USB-VideoIN-Ethernet cable compatible)
 - 1 x 4 pin connector** (In-cab connection cable compatible)
- Power cable extension with cigarette lighter plug
- Power cable extension with spade terminals*
- Power cable extension with coxo plug*
- USB + VideoIN cable / USB + VideoIN + Ethernet cable*
- In-cab connection cable**
- Heavy duty suction cup

*G7 Plus, G7 Iso

**G7 Iso

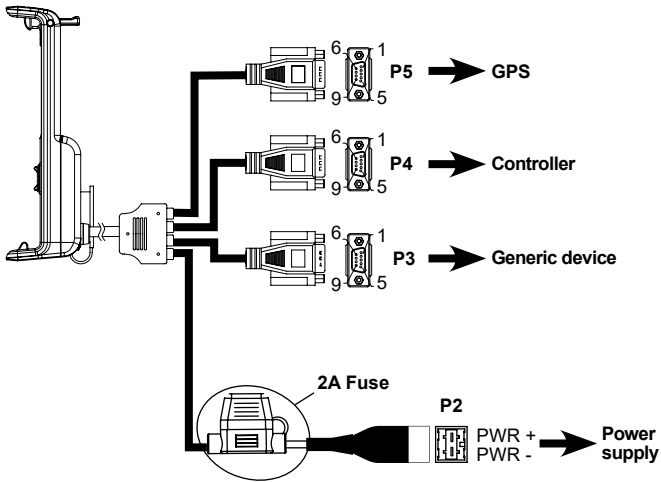
2. Technical specifications

- Dimensions: 188 x 146 x 33 mm (7.40" x 5.74" x 1.29")
- Weight: 640 g
- Display: 7"
- Display resolution: 1024 x 600 px
- Display brightness: 1000 nits
- Touch-screen: capacitive multi-touch
- Built-in GPS*: WAAS/EGNOS/MSAS/GAGAN
- Wireless LAN connection capability*
- CAN port**
- Water and dustproof: IP56
- Supply voltage: 10-35 Vdc
- Operating temperature: -10°C / +60°C (+14°F / +140°F)
- Storage temperature: -30°C / +80°C (-22°F / +176°F)
- Transmitting frequency range: 2400 - 2483 MHz
- Maximum transmitting power: 1 mW (or 100 mW*)
- Maximum power consumption: 1.5 A @ 12 V

*G7 Plus, G7 Iso

**G7 Iso

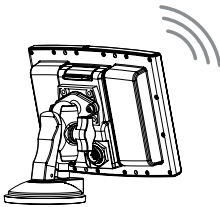
3. Connections scheme



P5 PIN-OUT	
PIN n°	Function
2	GPS TX
3	GPS RX
4	GPS VCC
5	GPS GND

P4 PIN-OUT	
PIN n°	Function
2	DEVICE 2 TX
3	DEVICE 2 RX
5	DEVICE 2 GND

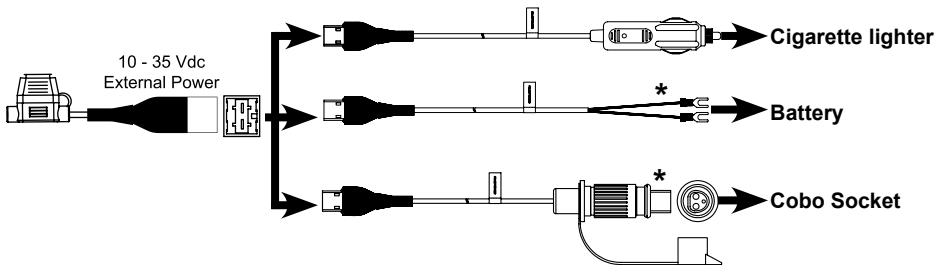
P3 PIN-OUT	
PIN n°	Function
2	DEVICE 1 TX
3	DEVICE 1 RX
4	DEVICE 1 VCC
5	DEVICE 1 GND
9	EXTERNAL ALARM



Wireless LAN connection capability*

*G7 Plus, G7 Iso

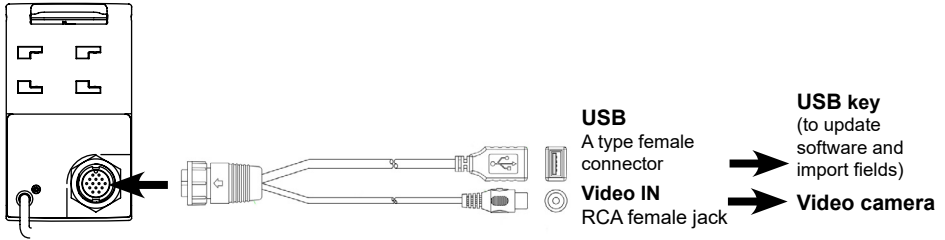
3.1 Power supply connection



*G7 Plus, G7 Iso

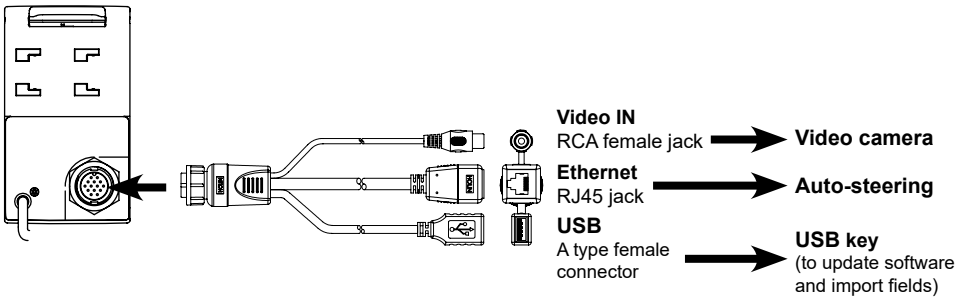
3.2 USB and video camera connection

(Using the cable included only in G7 Ezy)



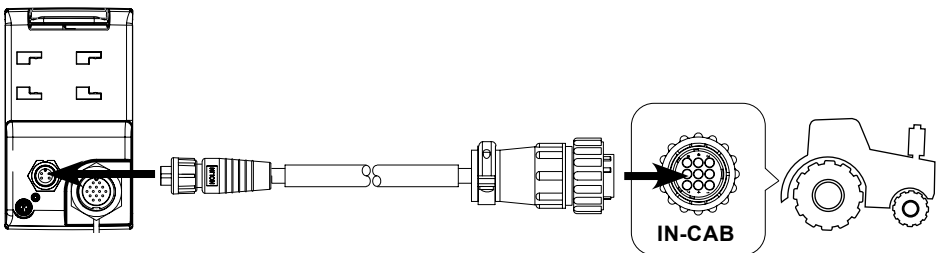
3.3 USB, video camera and Auto-steering connection

(Using the cable included only in G7 Plus and G7 Iso)



3.4 ISOBUS connection

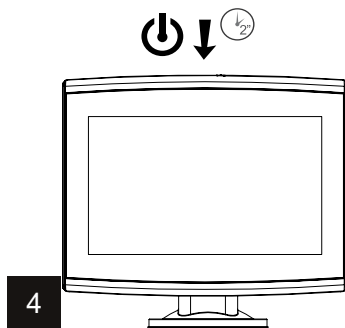
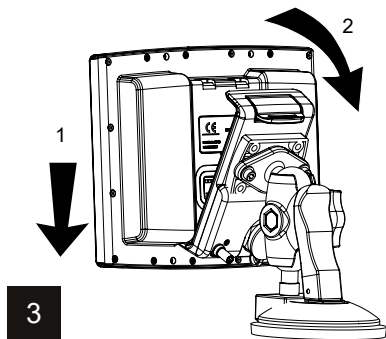
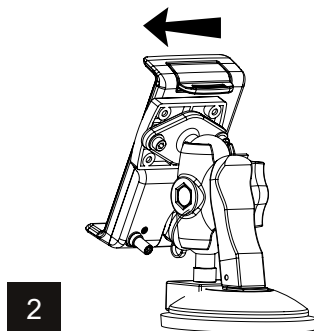
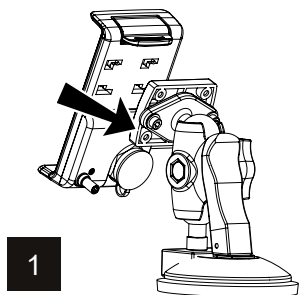
(Using the cable included only in G7 Iso)



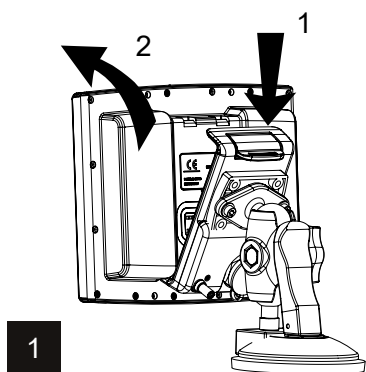
ATTENTION: The In-cab cable is not waterproof. Do not use outside the tractor cab.

4. Bracket assembly

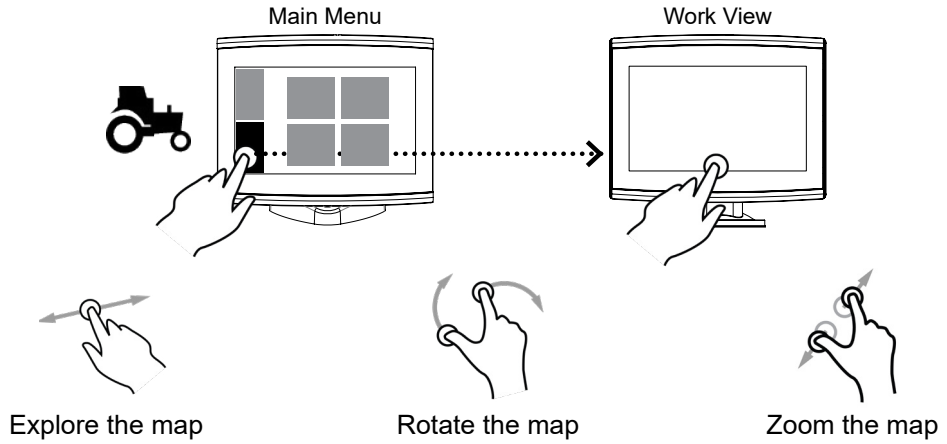
4.1 To install



4.2 To uninstall



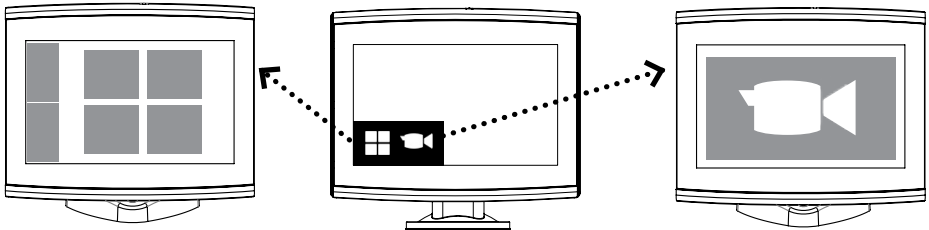
5. Operations



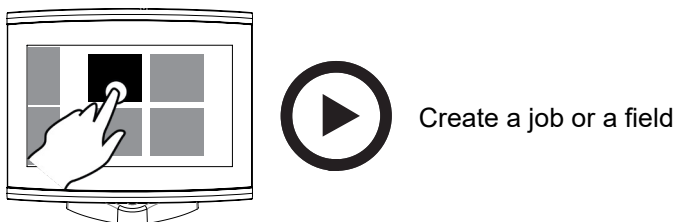
5.1 Other gestures



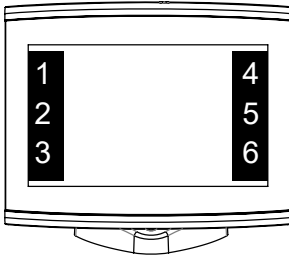
5.2 Menu on Work View



5.3 Start a Job



5.4 Buttons on map



1		Create and manage guidelines	All models
2		Create a field	All models
3		To set the headland area	All models
4		Start/Stop autosteering	G7 Plus G7 Iso
		Save mark	G7 Ezy
5		Nudge control	All models
6		Start/Stop the job	All models

6. Simplified EU declaration of conformity

Hereby, AvMap Srl, Viale Zaccagna 6, 54033 Carrara (MS), Italy declares that the radio equipments in the following table are in compliance with Directive 2014/53/EU.

G7 Plus	P3MJ52WWAM, P3MJ52TWAM
G7 Ezy	P3MJ52WBAM, P3MJ520BAM, P3MJ520BTU, P3MJ520BCF, P3MJ520BAR
G7 Iso	P3MJ57WWAM, P3MJ57VWAM

The full text of the EU declaration of conformity is available at the following internet address: eudeclaration.avmap.it

7. Safety Information

AvMap disclaims any liability deriving from an improper use or installation of the product in a way that may violate the regulations and safety. It is highly recommended that the installation of the product will be performed by a qualified maintenance technician. Consult the Installation manual for a correct installation procedure.



FARMNAVIGATOR

AvMap Srl
Viale Zaccagna, 6
54033 Carrara (MS), Italy
www.avmap.it
support@avmap.it

www.farmnavigator.com